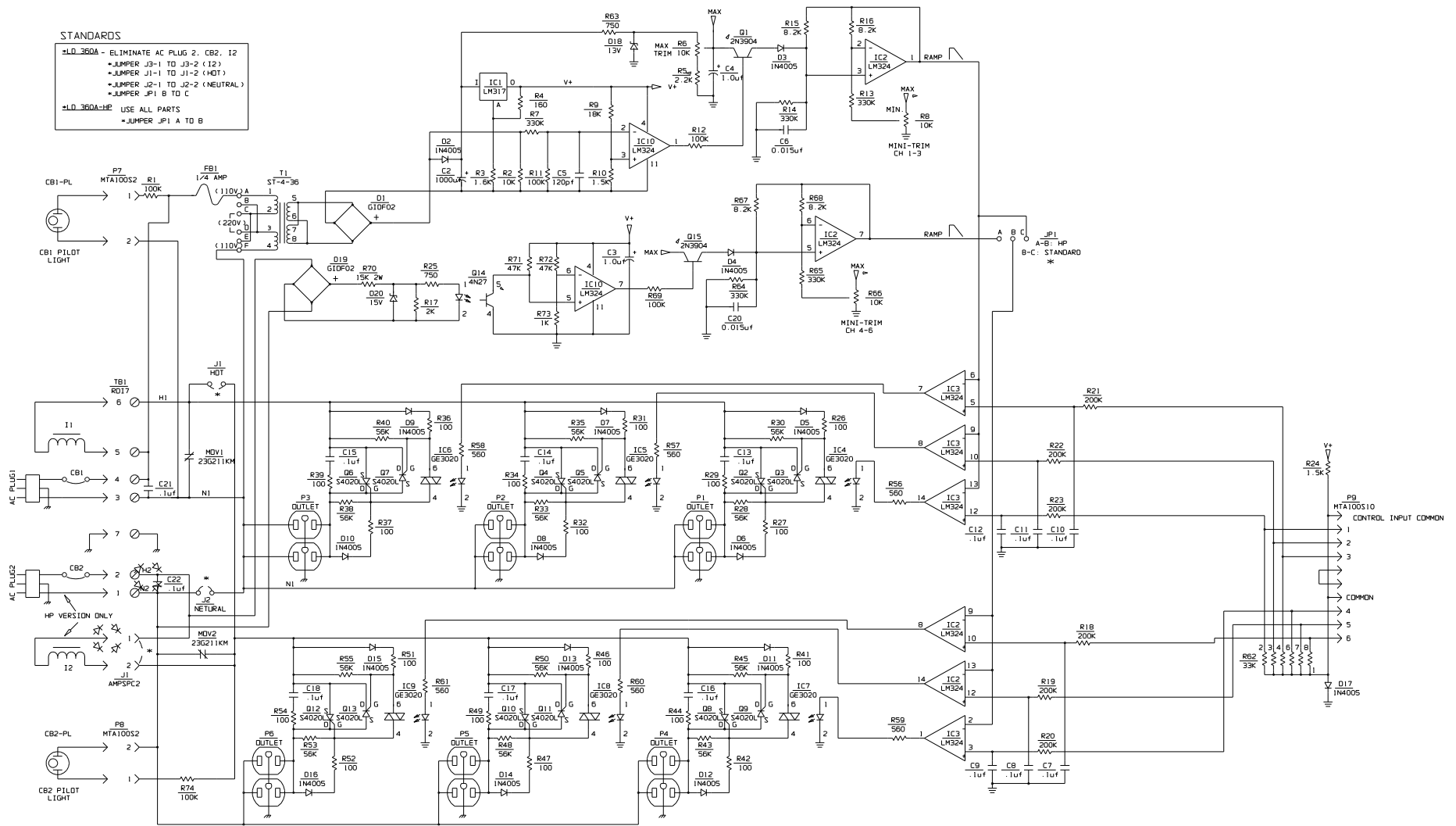


STANDARDS

- L0_360A - ELIMINATE AC PLUG 2, CB2, I2
- JUMPER J3-1 TO J3-2 (12)
- JUMPER J1-1 TO J1-2 (HOT)
- JUMPER J2-1 TO J2-2 (NEUTRAL)
- JUMPER J1 B TO C

-L0_360A:HP USE ALL PARTS

- JUMPER J1 A TO B



L0360 HP BD# 30-1085 REV. B

CAE, INC.
 L0360 HP SCHEMATIC REV. C
 12-3-91