

Counter Read #8800

UC01 [a27] P2
 UB0 [b27] P2
 For testing
 Data Bus

TO PROCESSOR

To Sheet 05
 SA9
 SA10

Memory Address

To RAM U501
 on Sheet 05

To Sheet 05

To Sheet 05

C:\SCHEM\DWG\UX2400_30-1107C.P04

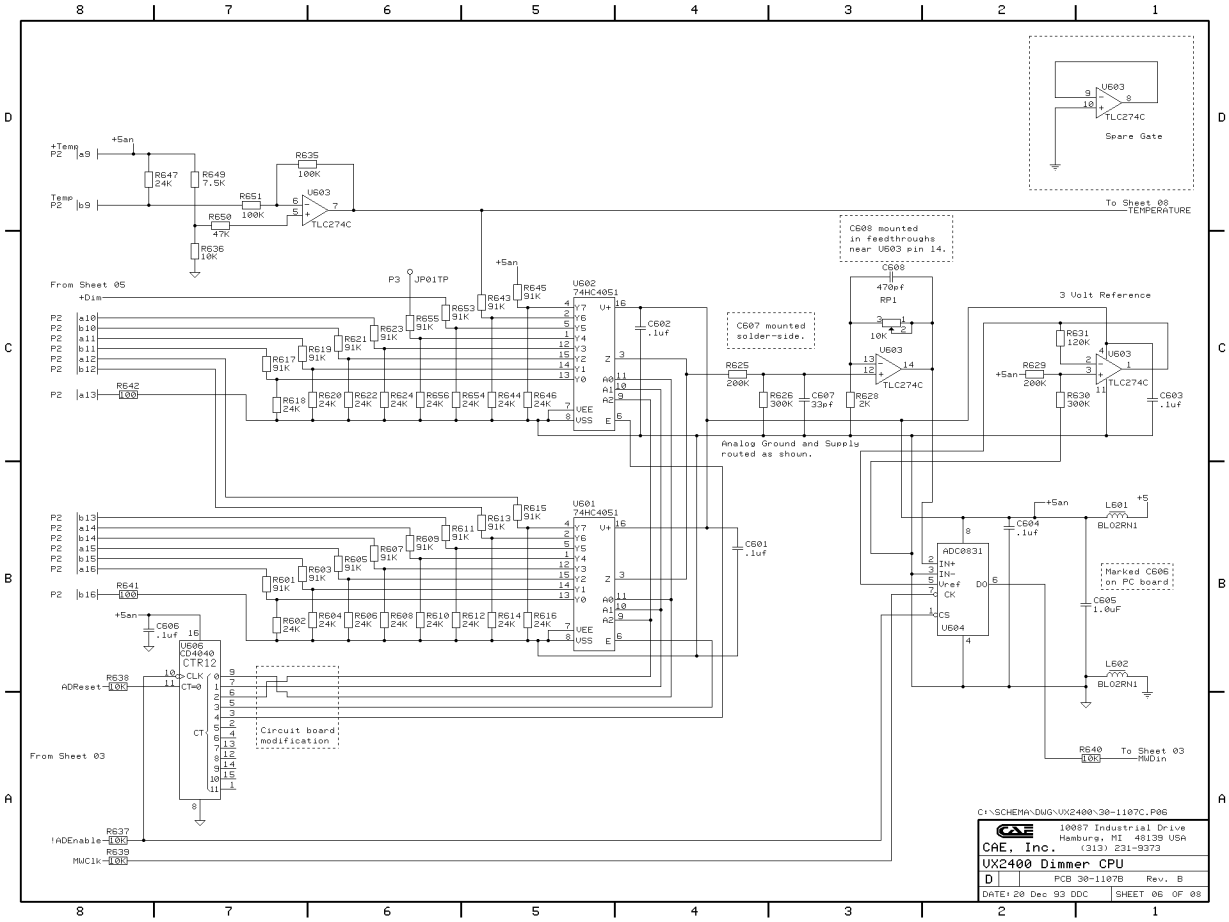
10087 Industrial Drive
 CAE, Inc. Hamburg, MI 48135 USA
 (313) 221-9373

UX2400 Dimmer CPU

D PCB 30-1107B Rev. B
 DATE: 20 Dec 93 DEC SHEET 04 OF 08

3-TERMINAL CERAMIC RESONATOR MAY
 BE SUBSTITUTED FOR X1, C304, C305

Sampling window for
 Line Regulation Option
 !Start
 !Stop
 !Sample

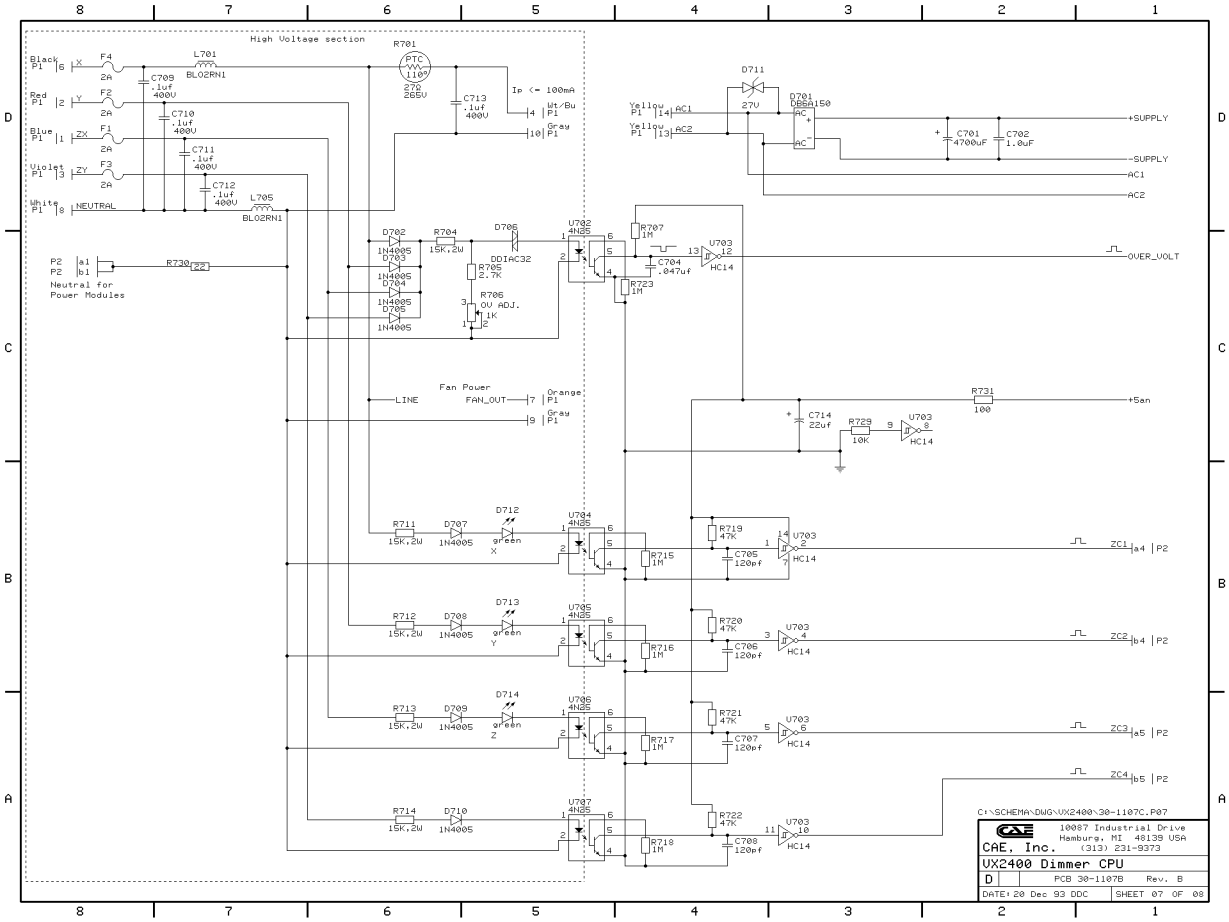


C:\SCHEM\DWG\UX2400\30-1107C.P66

10087 Industrial Drive
Hamburg, NJ 08139 USA
(313) 231-9373

CAE, Inc.
UX2400 Dimmer CPU

| | | |
|---------------------|----------------|--------|
| D | PCB 30-1107B | Rev. B |
| DATE: 20 Dec 93 DDC | SHEET 06 OF 08 | |



C:\SCHEMA\DMG\UX2400\30-1107C.P07
 10087 Industrial Drive
 CAE, Inc. Hamburg, MI 48139 USA
 (313) 221-9373
UX2400 Dimmer CPU
 D PCB 30-1107B Rev. B
 DATE: 20 Dec 93 DDC SHEET 07 OF 08

