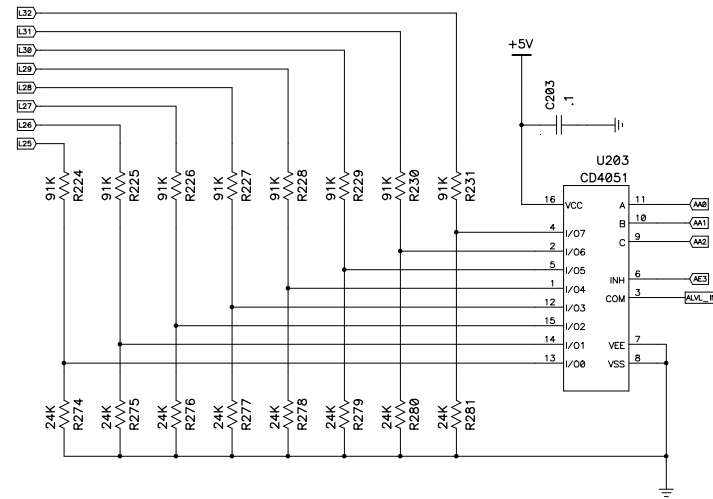
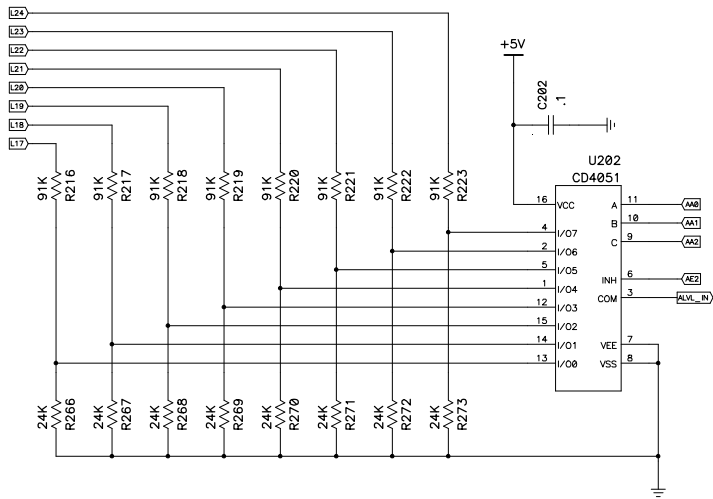
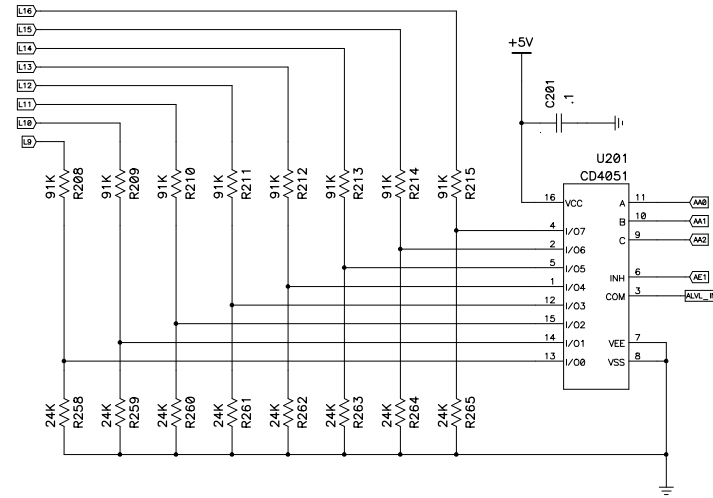
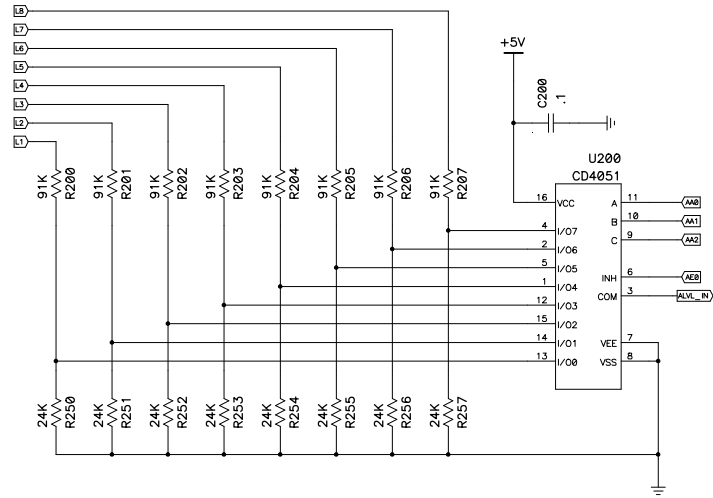
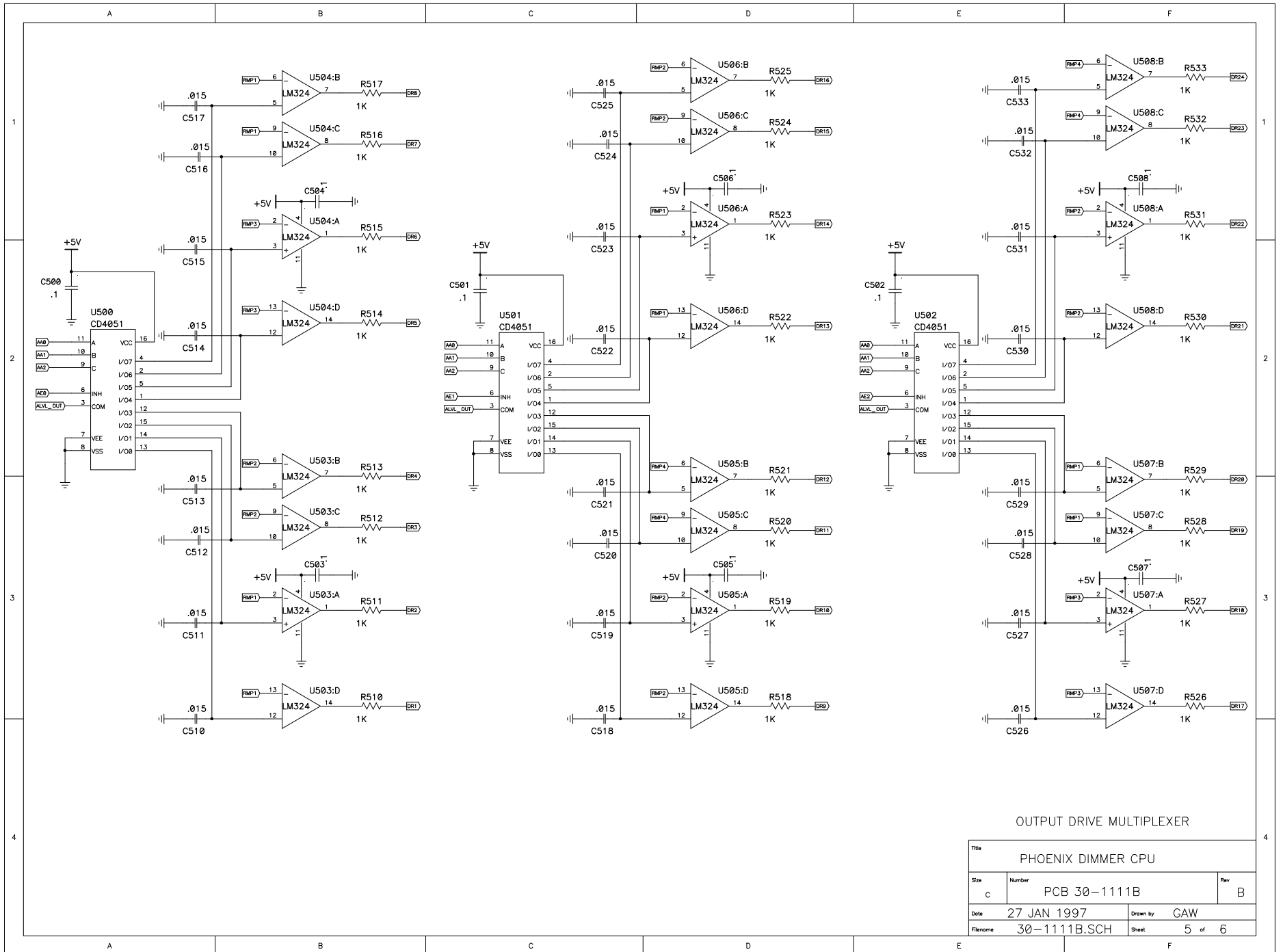


PHOENIX DIMMER CPU			
Size	Number	PCB 30-1111B	Rev
c			B
Date	27 JAN 1997	Drawn by	GAW
Filename	30-1111B.SCH	Sheet	1 of 6



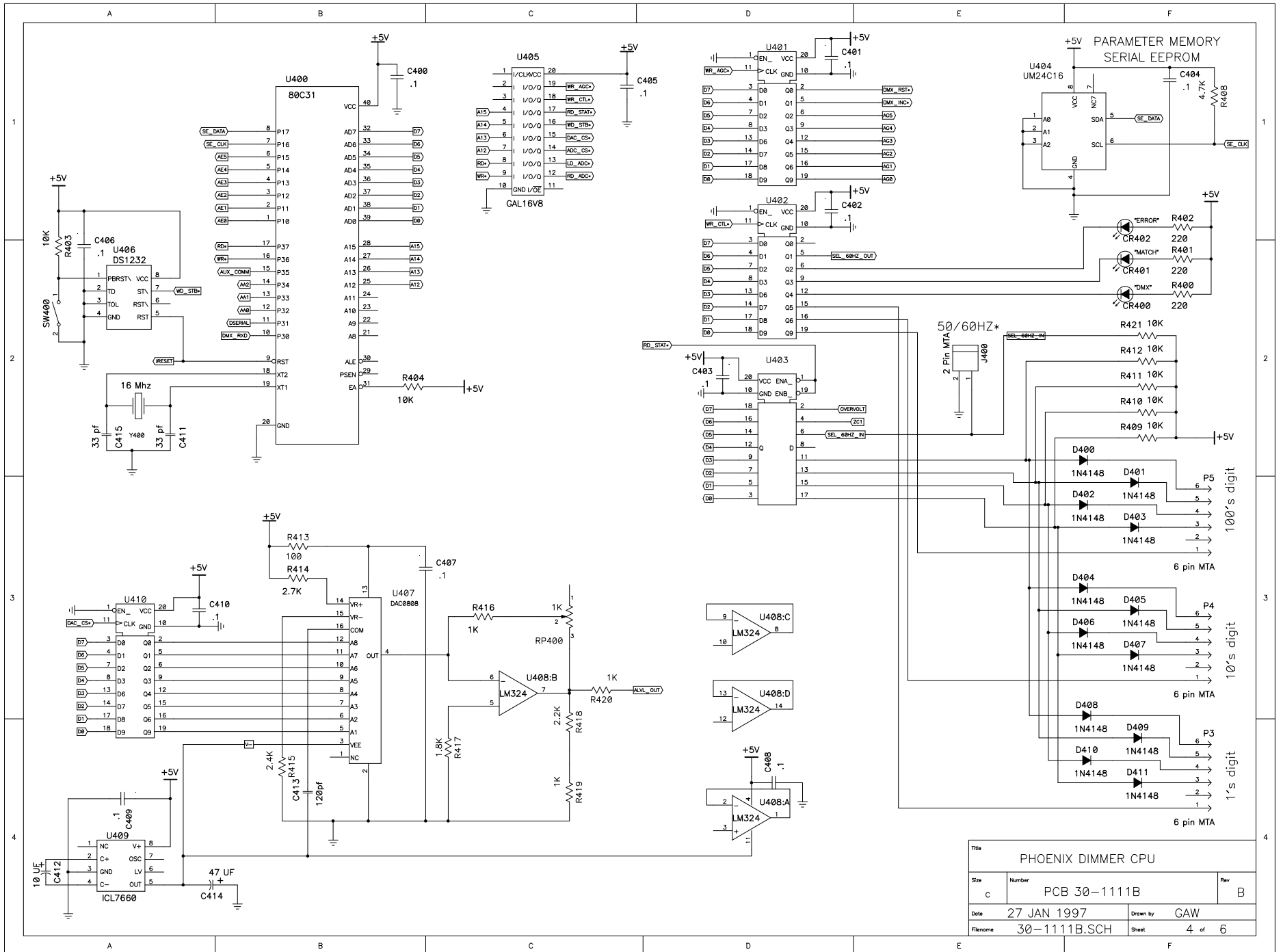
ANALOG INPUT MULTIPLEXERS

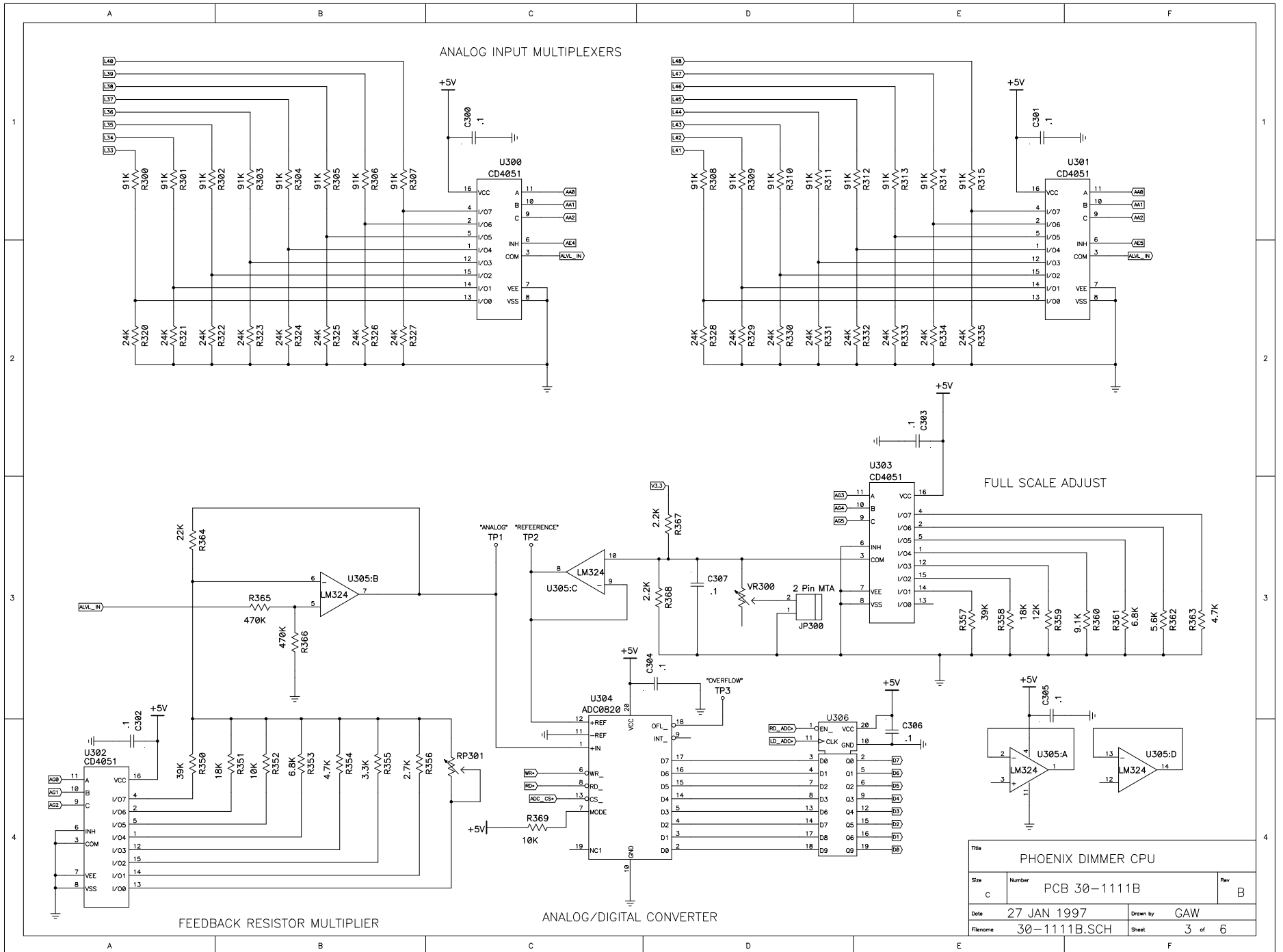
Title			PHOENIX DIMMER CPU	
Size	Number	PCB 30-1111B		Rev
C				B
Date	27 JAN 1997	Drawn by	GAW	
Filename	30-1111B.SCH	Sheet	2 of 6	

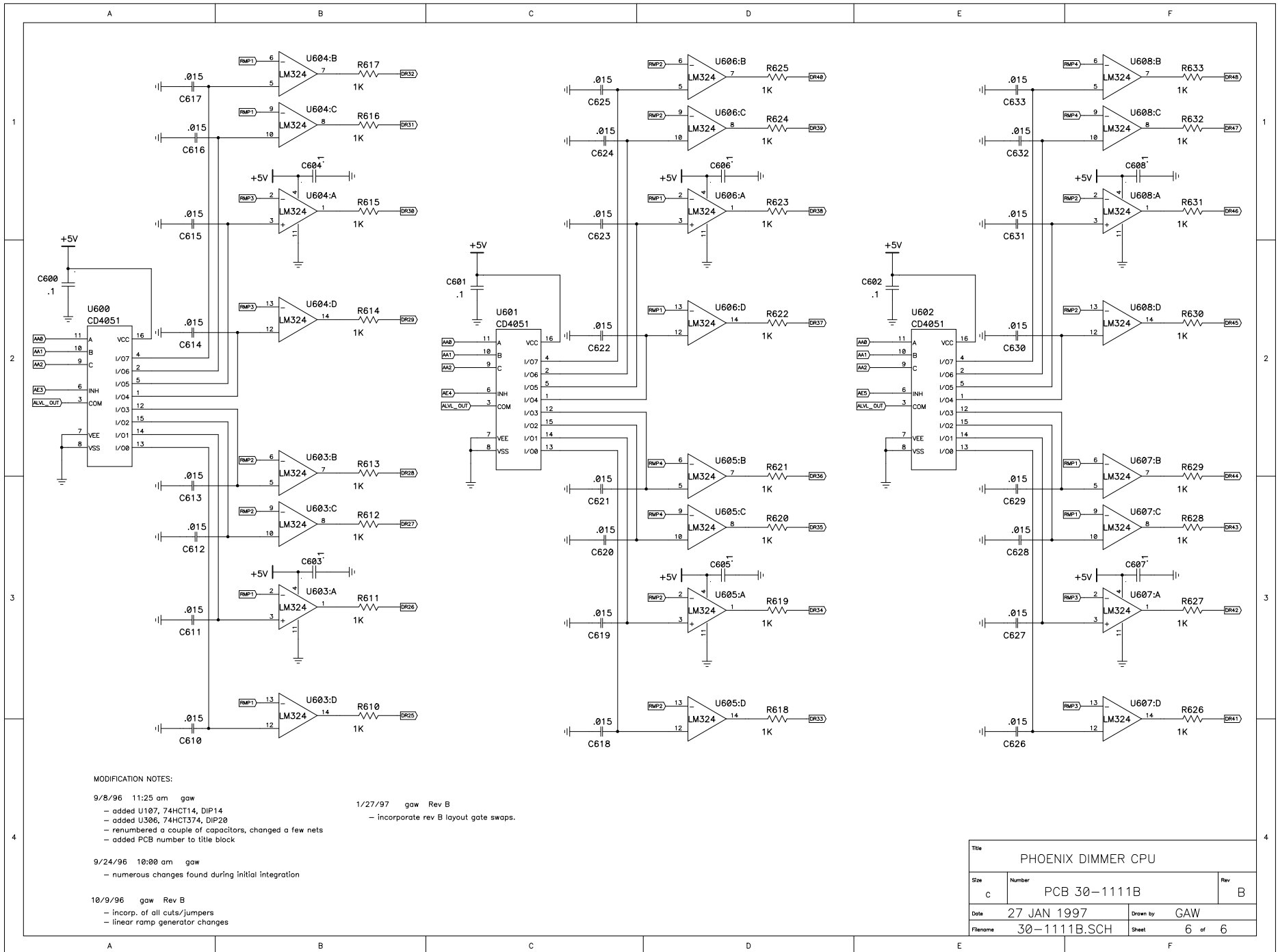


OUTPUT DRIVE MULTIPLEXER

Title			PHOENIX DIMMER CPU	
Size	Number			Rev
C	PCB 30-1111B			B
Date	27 JAN 1997	Drawn by	GAW	
Filename	30-1111B.SCH	Sheet	5 of 6	







MODIFICATION NOTES:

9/8/96 11:25 am gaw
 - added U107, 74HCT14, DIP14
 - added U306, 74HCT374, DIP20
 - renumbered a couple of capacitors, changed a few nets
 - added PCB number to title block

9/24/96 10:00 am gaw
 - numerous changes found during initial integration

10/9/96 gaw Rev B
 - incorp. of all cuts/jumpers
 - linear ramp generator changes

1/27/97 gaw Rev B
 - incorporate rev B layout gate swaps.

Title			PHOENIX DIMMER CPU	
Size	Number			Rev
C	PCB 30-1111B			B
Date	27 JAN 1997	Drawn by	GAW	
Filename	30-1111B.SCH	Sheet	6 of 6	