
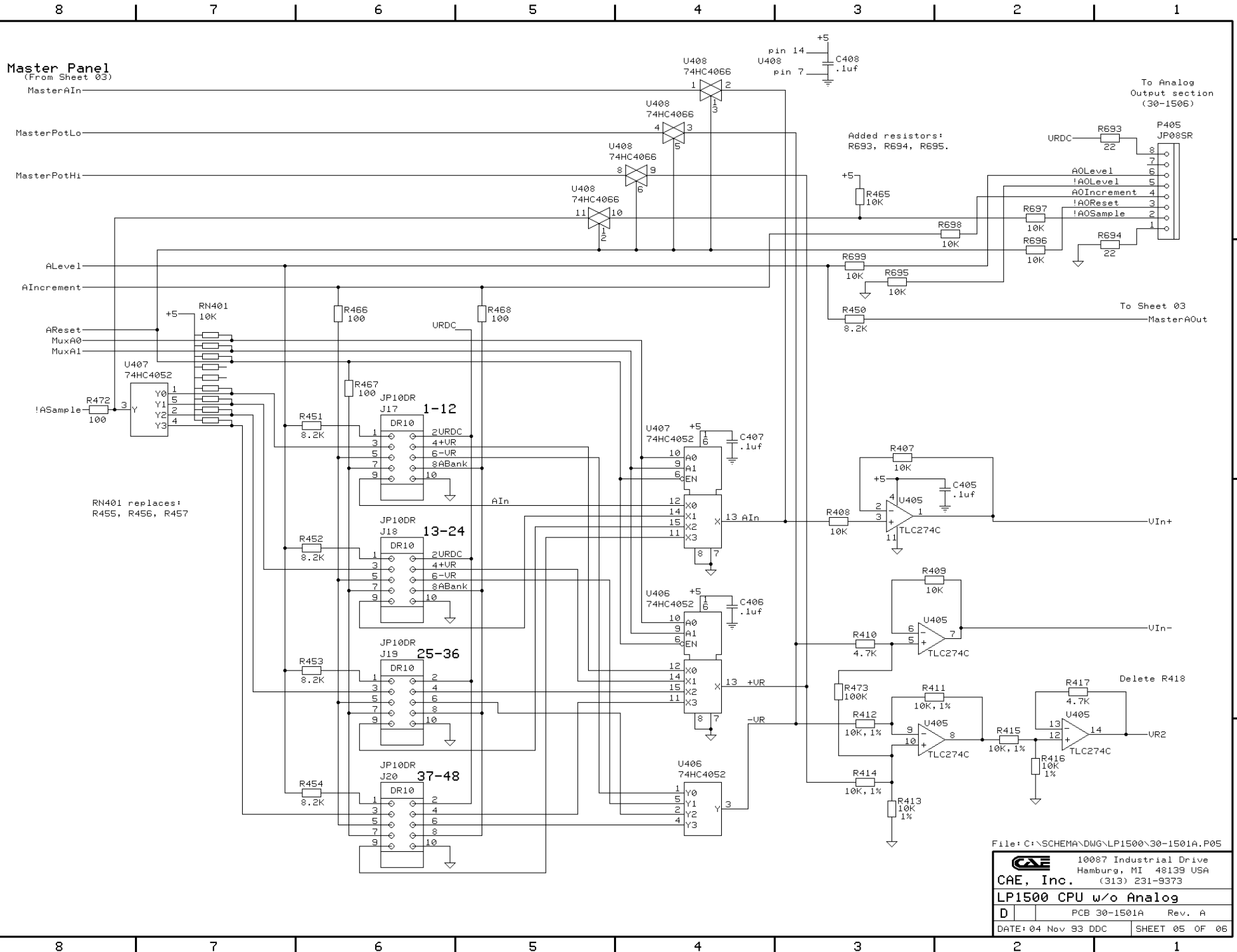


File: C:\SCHEMAN\DWG\LP1500\30-1501A.P06

		10087 Industrial Drive Hamburg, MI 48139 USA (313) 231-9373	
LP1500 CPU w/o Analog			
D	PCB 30-1501A	Rev. A	
DATE: 04 Nov 93 DDC	SHEET 06 OF 06		



Master Panel
(From Sheet 03)

+5
U408
pin 14
C408
pin 7
U408
.1uf

To Analog
Output section
(30-1506)

Added resistors:
R693, R694, R695.

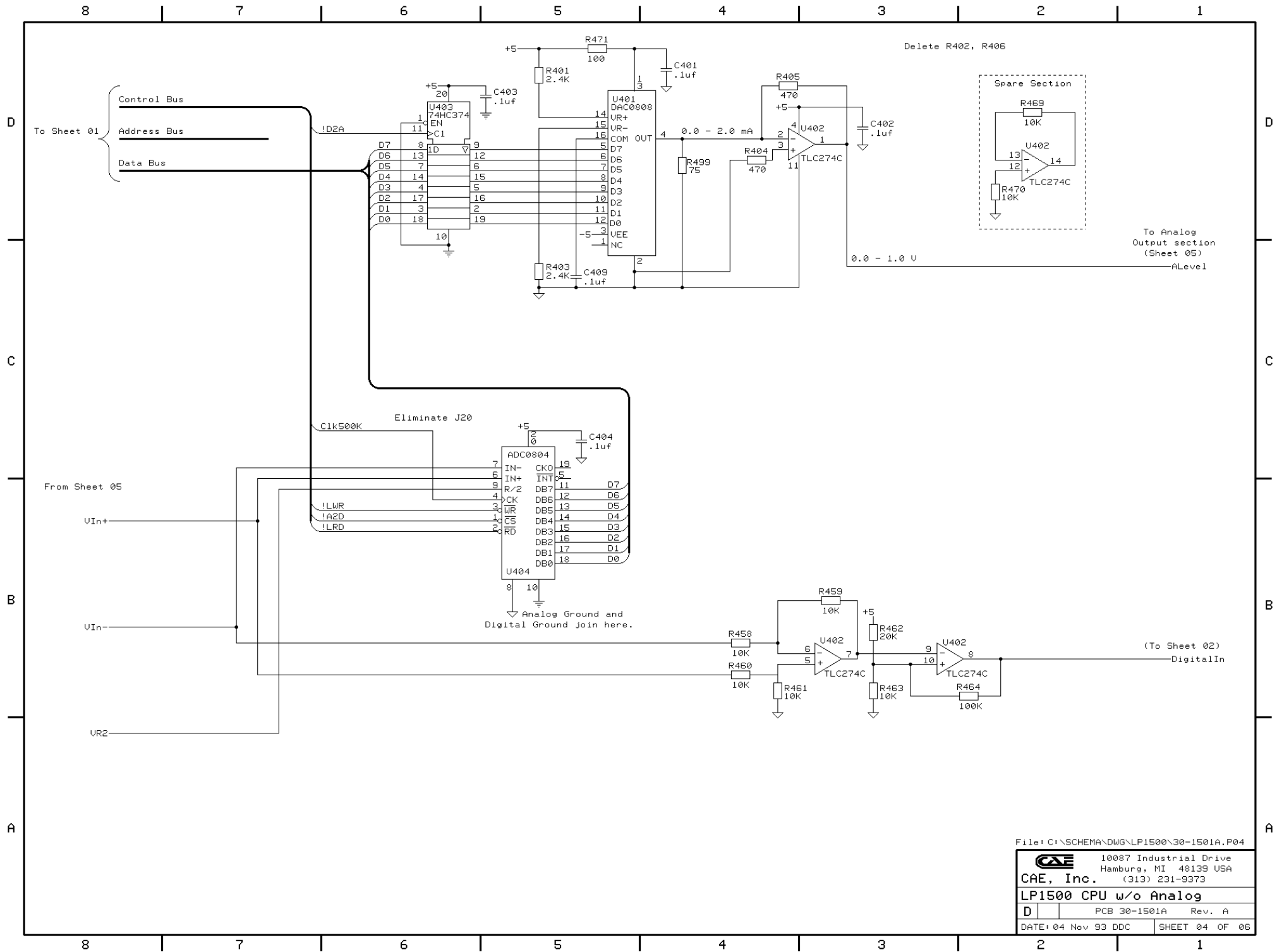
To Sheet 03
MasterAOut

RN401 replaces:
R455, R456, R457


Delete R418

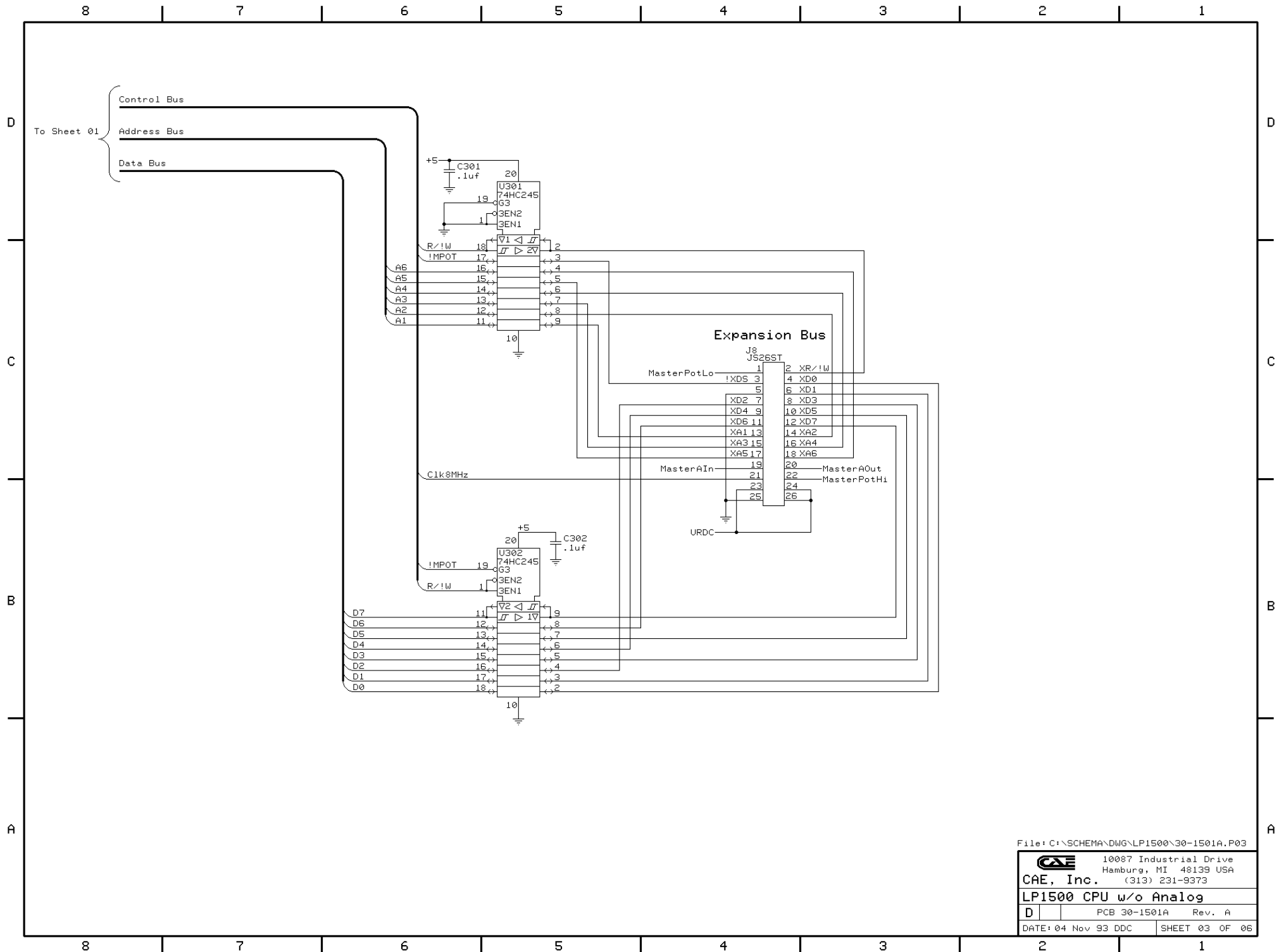
File: C:\SCHEMADWG\LP1500\30-1501A.P05

		10087 Industrial Drive Hamburg, MI 48139 USA	
		(313) 231-9373	
LP1500 CPU w/o Analog			
D	PCB 30-1501A	Rev. A	
DATE: 04 Nov 93	DDC	SHEET 05	OF 06




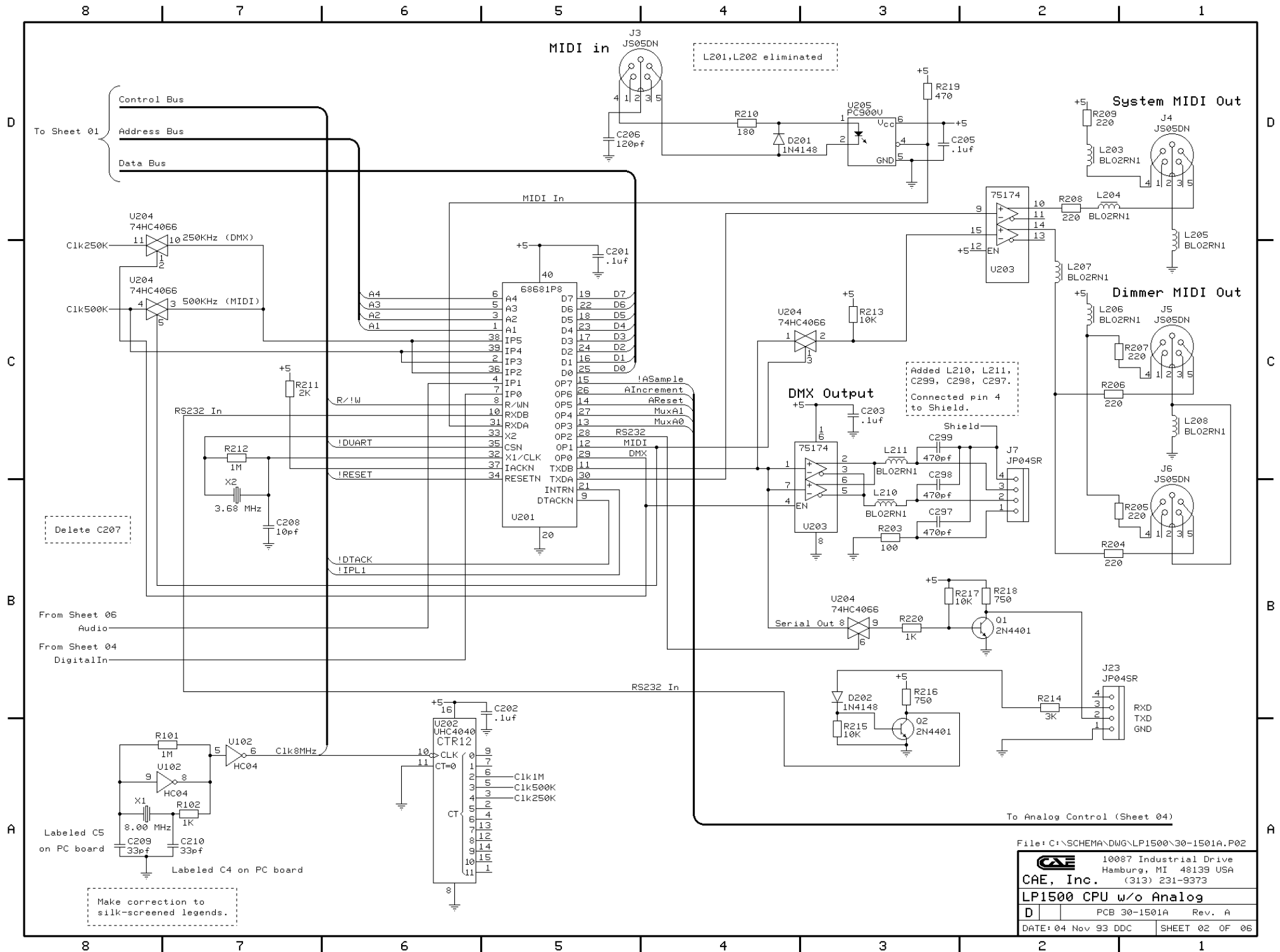
File: C:\SCHEM\DWG\LP1500\30-1501A.P04

		10087 Industrial Drive	
		Hamburg, MI 48139 USA	
CAE, Inc.		(313) 231-9373	
LP1500 CPU w/o Analog			
D	PCB 30-1501A	Rev. A	
DATE: 04 Nov 93 DDC	SHEET 04 OF 06		




File: C:\SCHEM\DWG\LP1500\30-1501A.P03

 10087 Industrial Drive Hamburg, MI 48139 USA (313) 231-9373		
LP1500 CPU w/o Analog		
D	PCB 30-1501A	Rev. A
DATE: 04 Nov 93 DDC	SHEET 03 OF 06	



File: C:\SCHEMAN\DWG\LP1500\30-1501A.P02

		10087 Industrial Drive	
		Hamburg, MI 48139 USA	
CAE, Inc.		(313) 231-9373	
LP1500 CPU w/o Analog			
D	PCB 30-1501A	Rev. A	
DATE: 04 Nov 93	DDC	SHEET 02	OF 06