

File: C:\SCHEM-DWG\LPI1500-30-1503C.P01

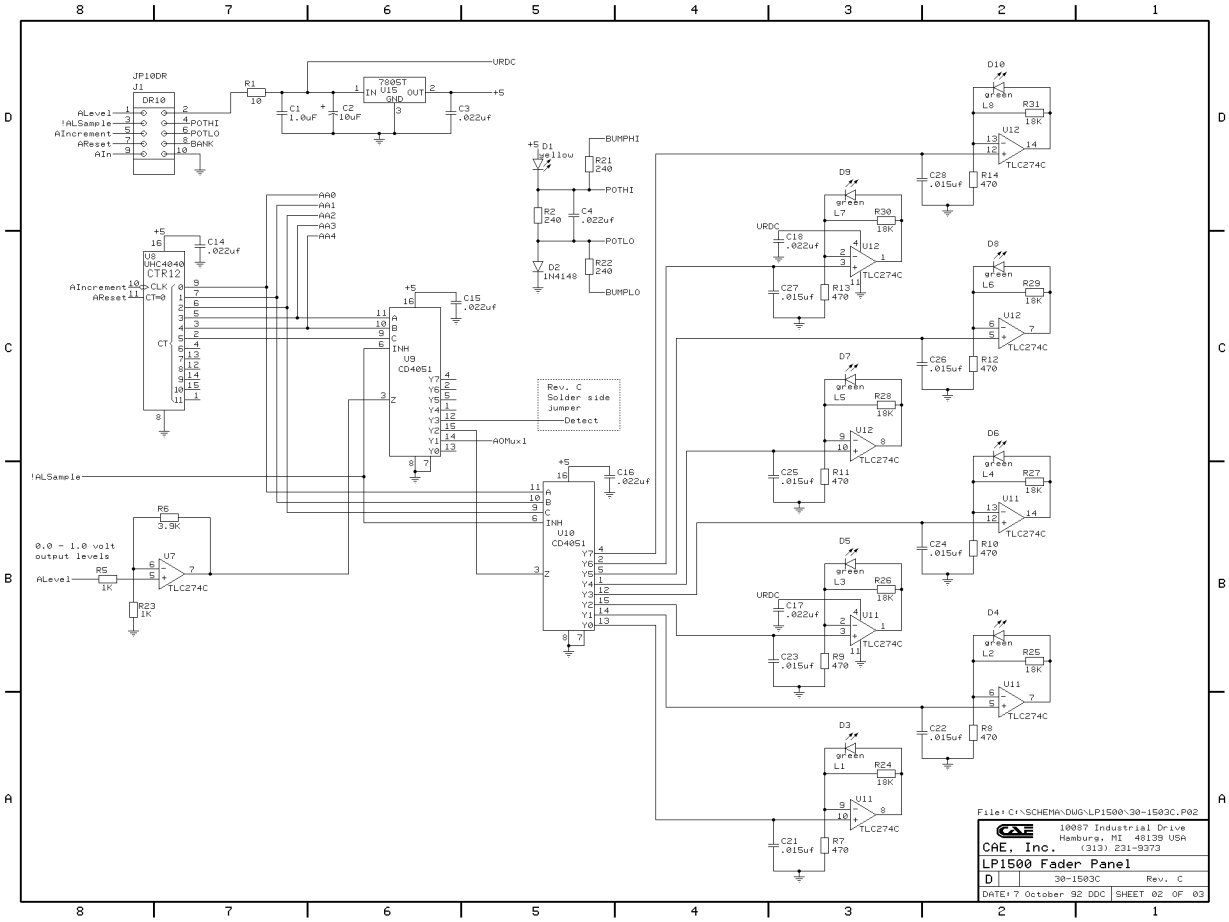
10087 Industrial Drive
 Hembury, N.I. 48139 USA
 (313) 621-9373

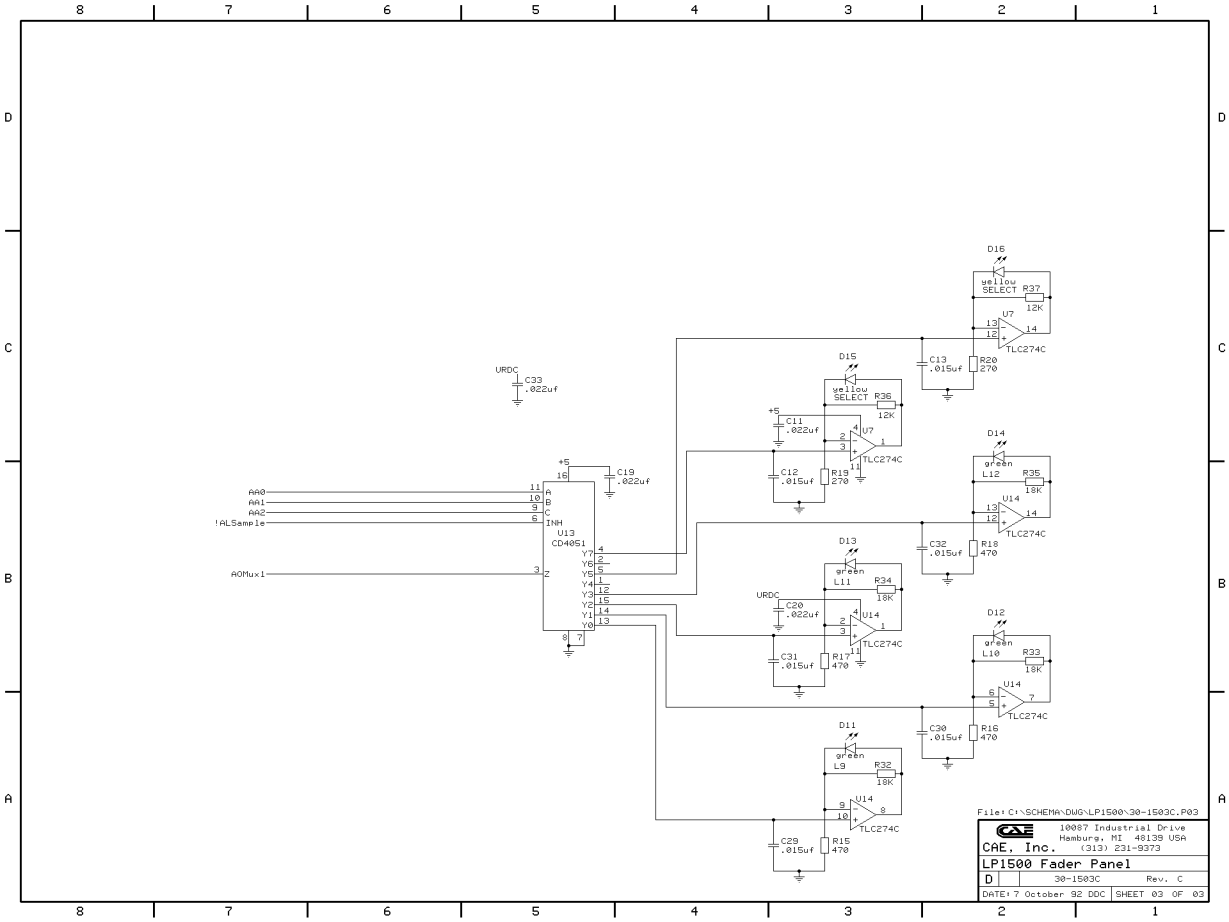
CAE, Inc.

LPI1500 Fader Panel

D 30-1503C Rev. C

DATE: 7 October 92 DDC SHEET 01 OF 03





File: C:\SCHEM-DWG\LP1500-30-1503C.P03

10087 Industrial Drive
Hamburg, MI 48139 USA
(313) 521-9373

CAE, Inc.

LP1500 Fader Panel

D	30-1503C	Rev. C
DATE: 7 October 92 DDC SHEET 03 OF 03		