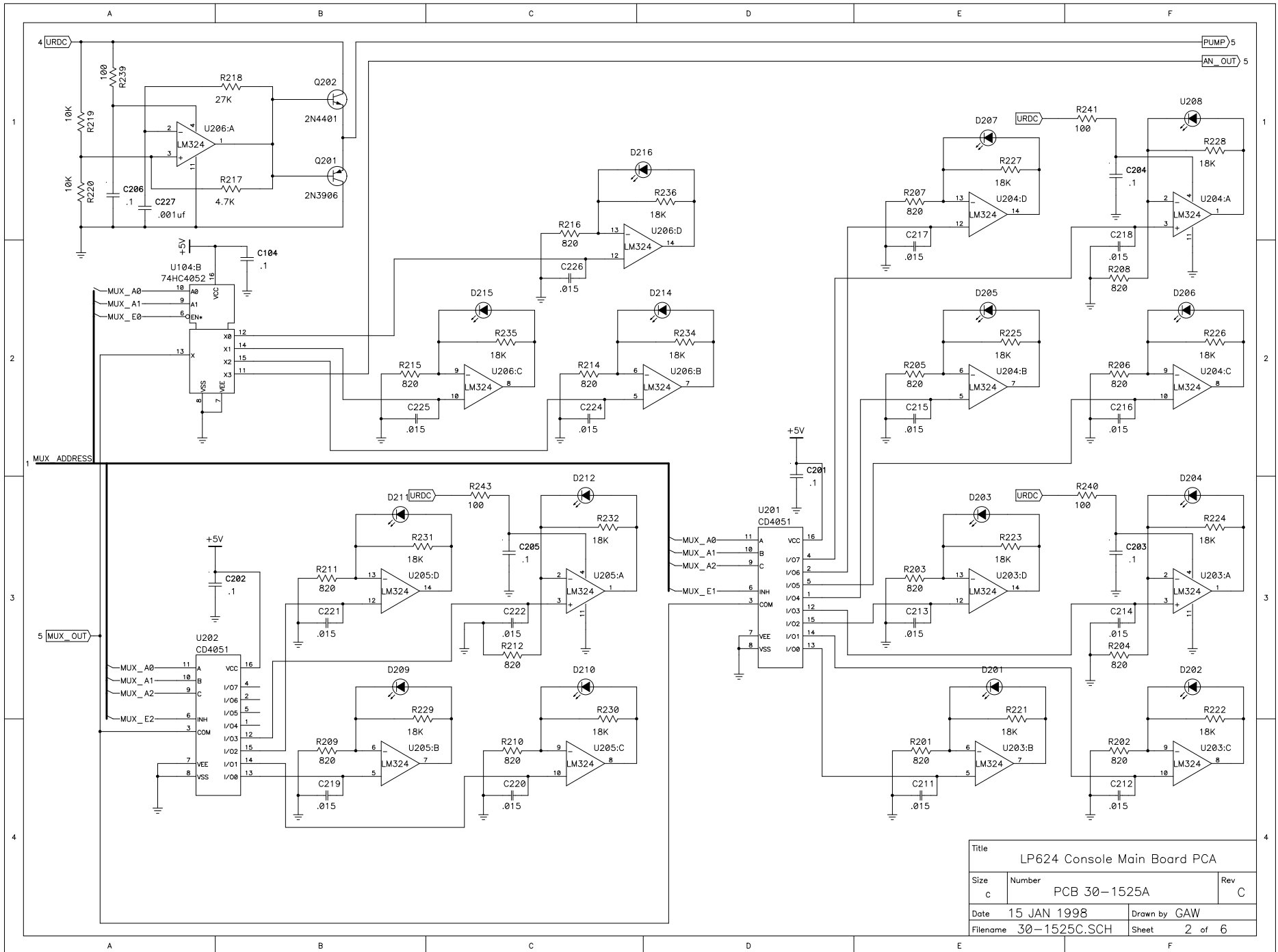
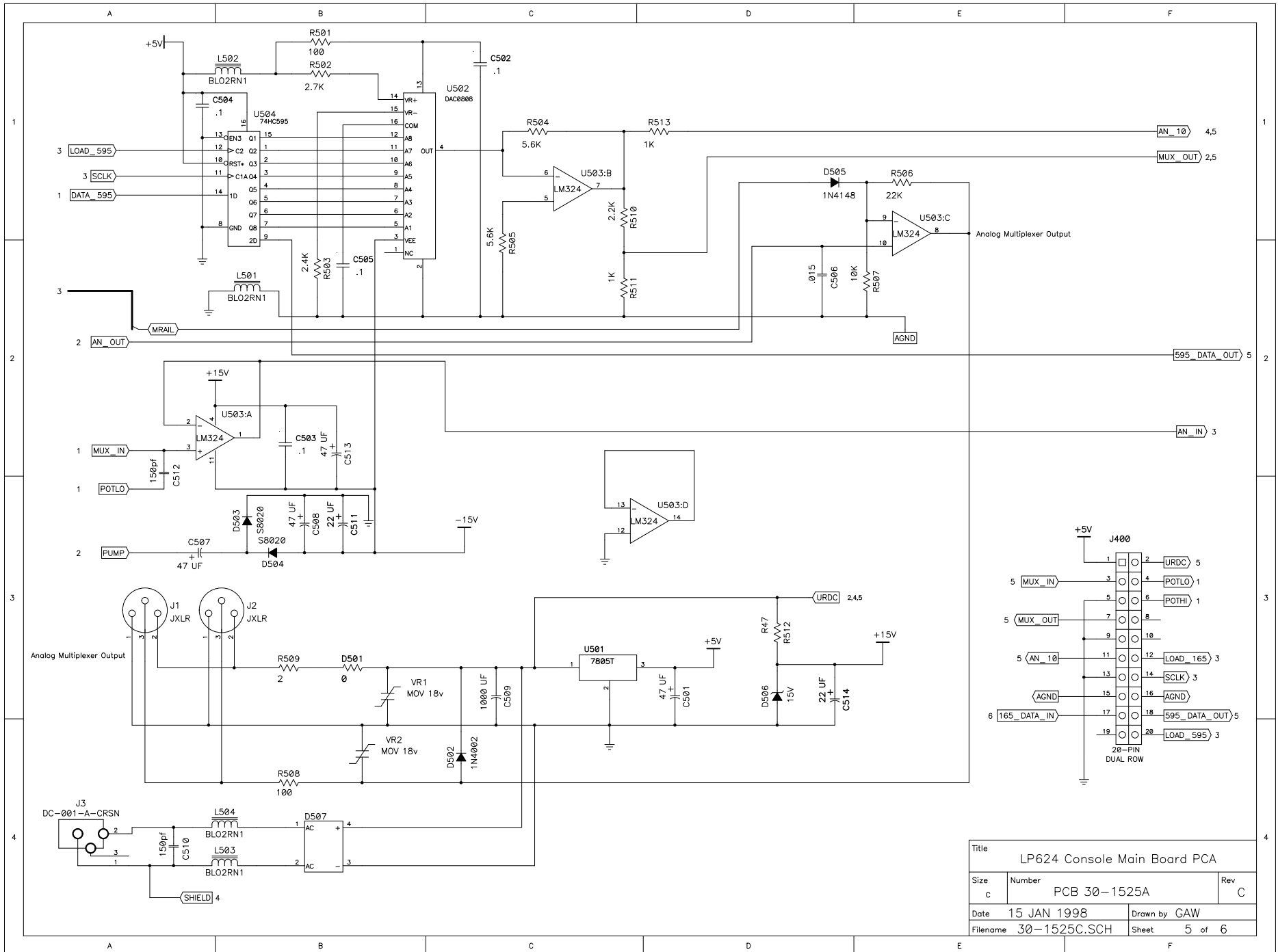
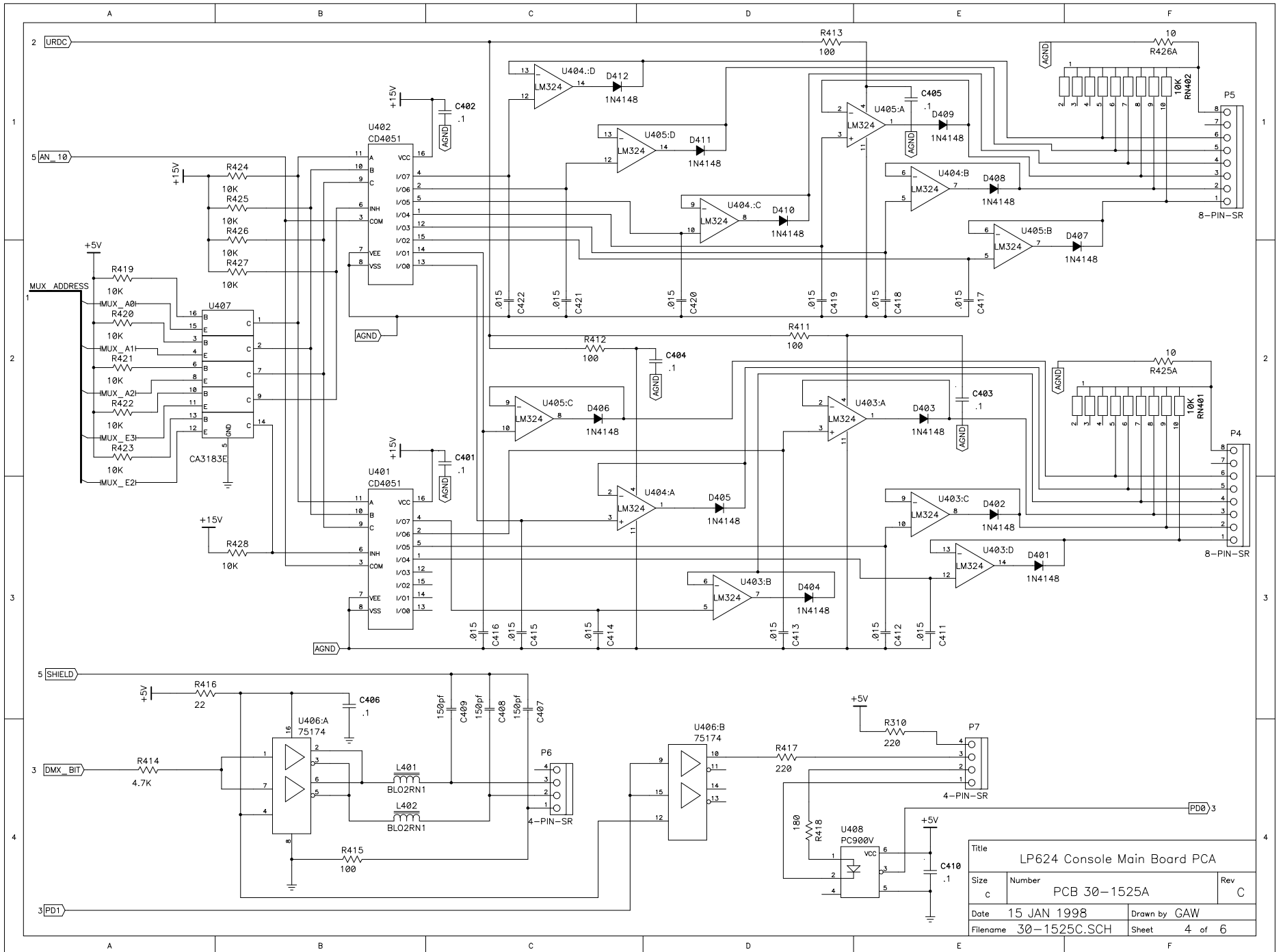


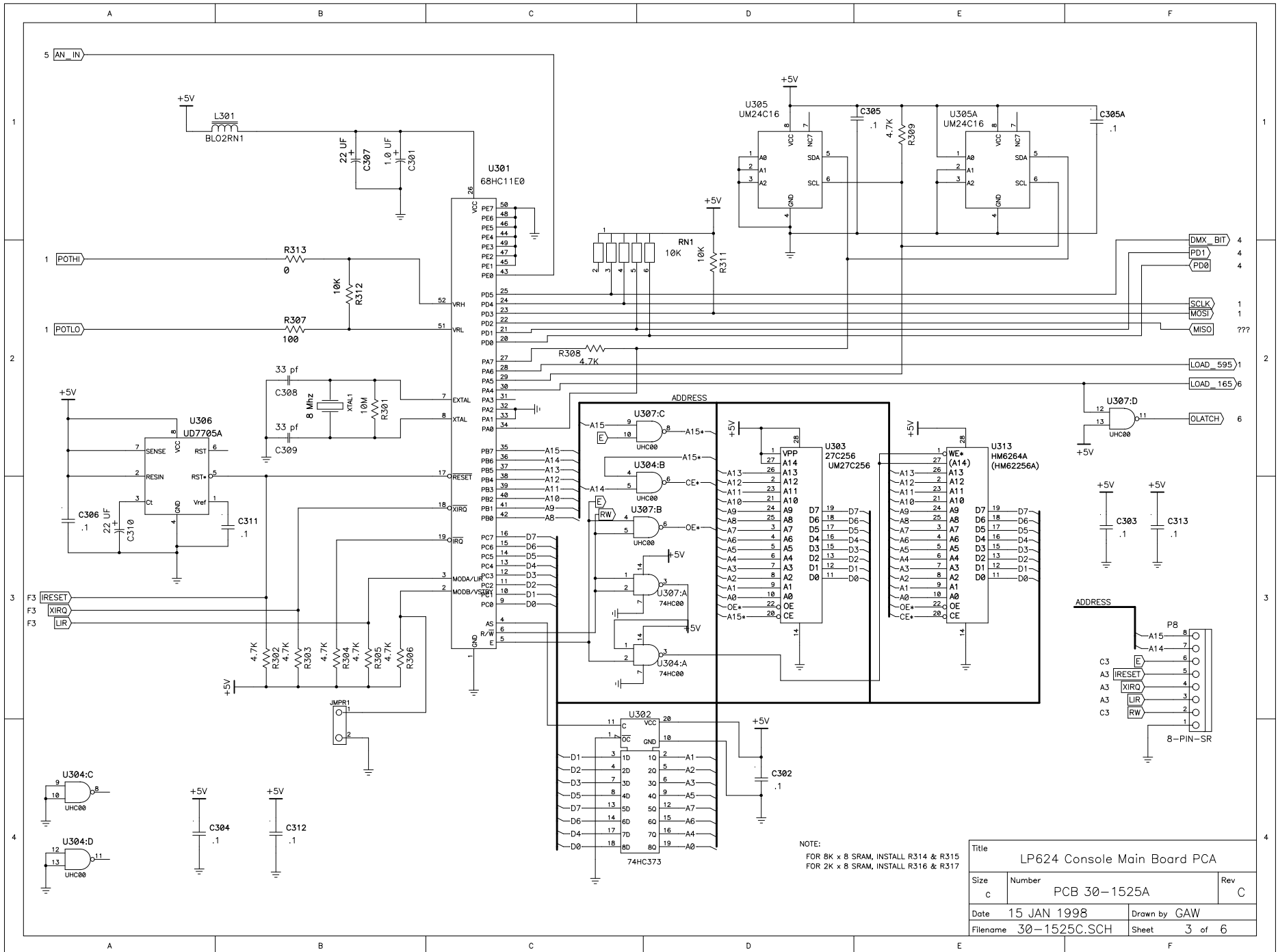
|          |              |          |                              |        |  |
|----------|--------------|----------|------------------------------|--------|--|
| Title    |              |          | LP624 Console Main Board PCA |        |  |
| Size     | Number       |          |                              | Rev    |  |
| c        | PCB 30-1525A |          |                              | C      |  |
| Date     | 15 JAN 1998  | Drawn by |                              | GAW    |  |
| Filename | 30-1525C.SCH | Sheet    |                              | 1 of 6 |  |





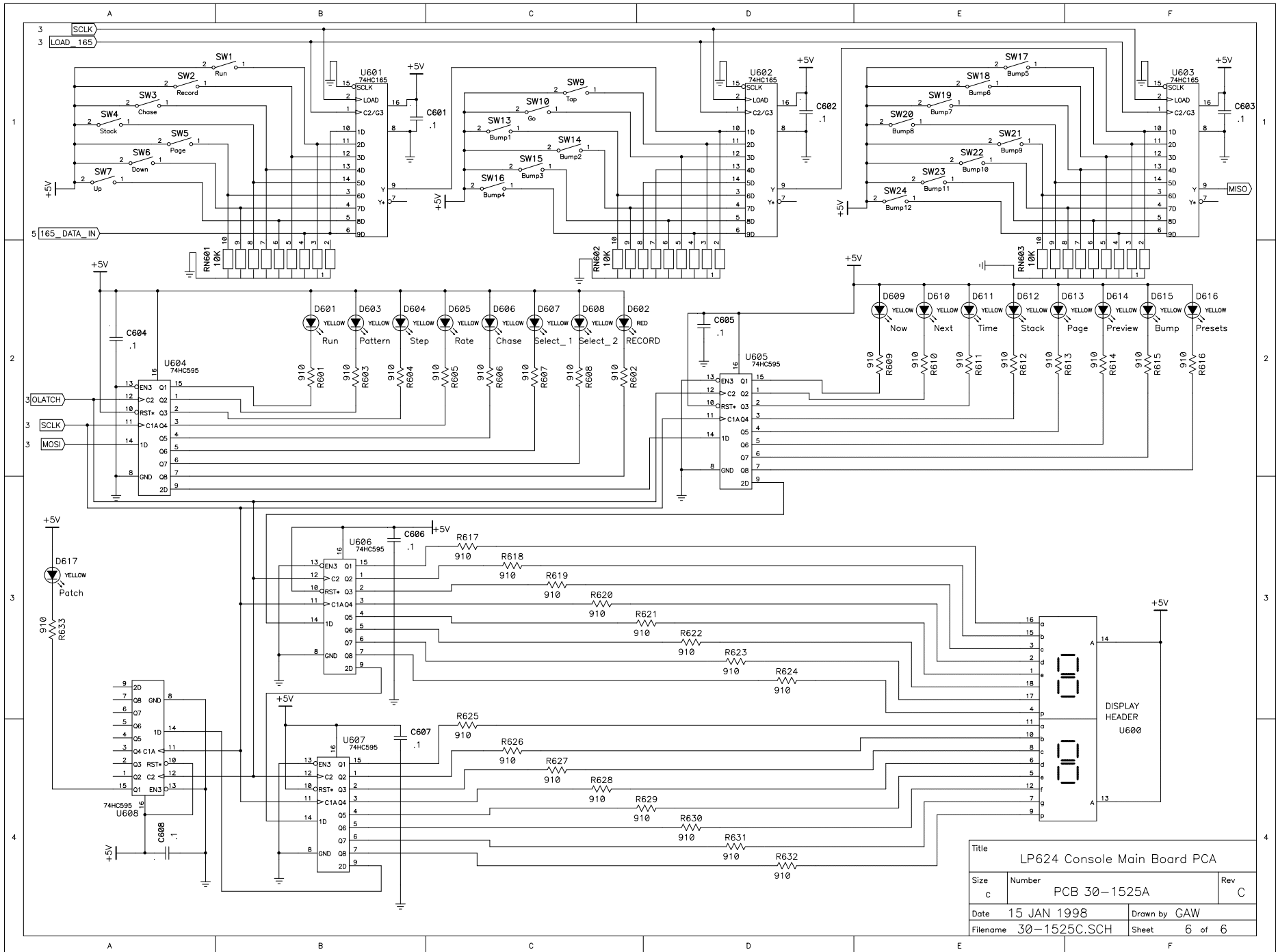
|          |              |          |                              |        |  |
|----------|--------------|----------|------------------------------|--------|--|
| Title    |              |          | LP624 Console Main Board PCA |        |  |
| Size     | Number       |          |                              | Rev    |  |
| c        | PCB 30-1525A |          |                              | C      |  |
| Date     | 15 JAN 1998  | Drawn by |                              | GAW    |  |
| Filename | 30-1525C.SCH | Sheet    |                              | 5 of 6 |  |





NOTE:  
 FOR 8K x 8 SRAM, INSTALL R314 & R315  
 FOR 2K x 8 SRAM, INSTALL R316 & R317

|                              |              |              |
|------------------------------|--------------|--------------|
| Title                        |              |              |
| LP624 Console Main Board PCA |              |              |
| Size                         | Number       | Rev          |
| c                            | PCB 30-1525A | C            |
| Date                         | 15 JAN 1998  | Drawn by GAW |
| Filename                     | 30-1525C.SCH | Sheet 3 of 6 |



|          |              |          |                              |        |   |
|----------|--------------|----------|------------------------------|--------|---|
| Title    |              |          | LP624 Console Main Board PCA |        |   |
| Size     | Number       |          |                              | Rev    | C |
| c        | PCB 30-1525A |          |                              |        |   |
| Date     | 15 JAN 1998  | Drawn by |                              | GAW    |   |
| Filename | 30-1525C.SCH | Sheet    |                              | 6 of 6 |   |