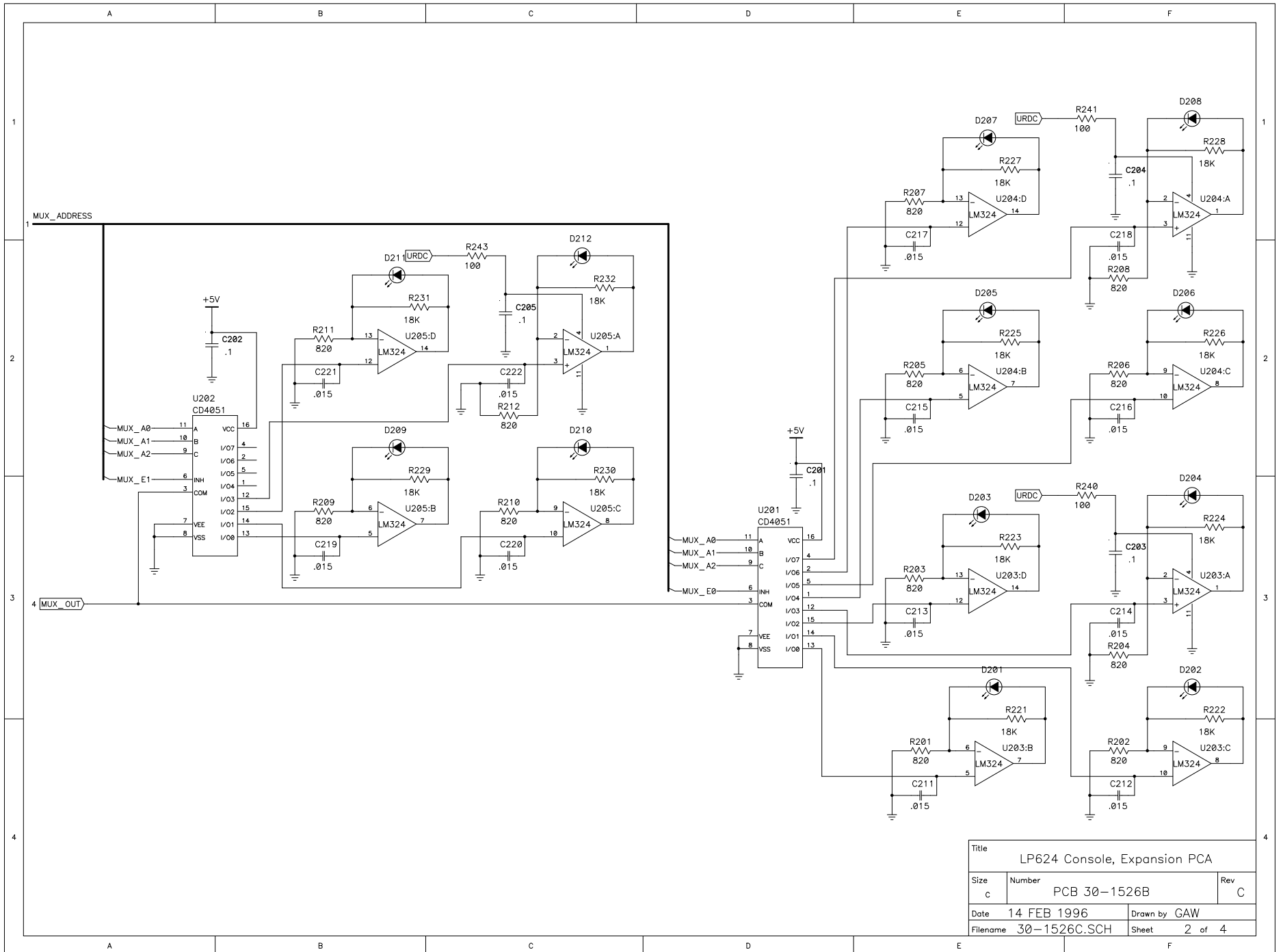
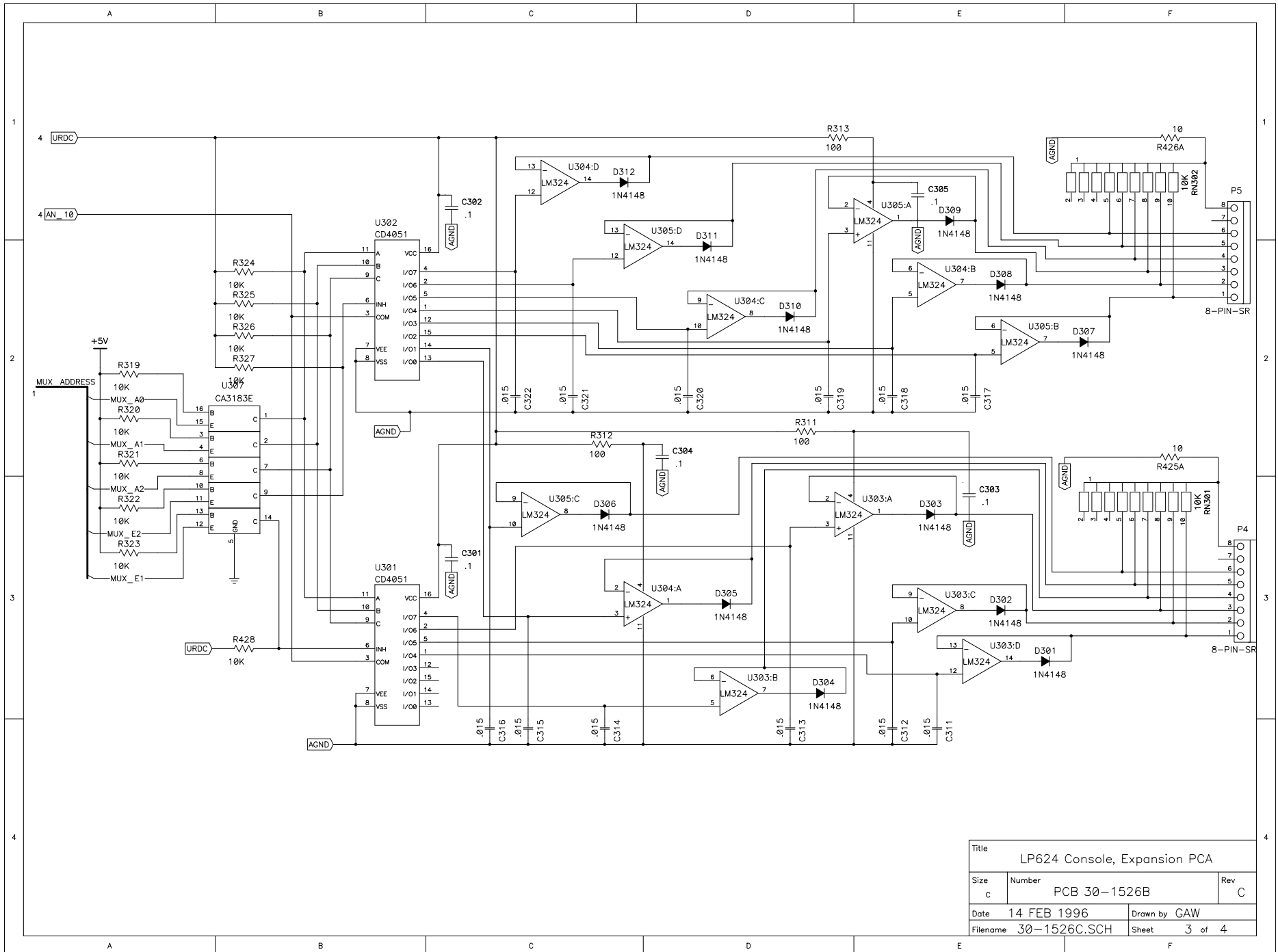


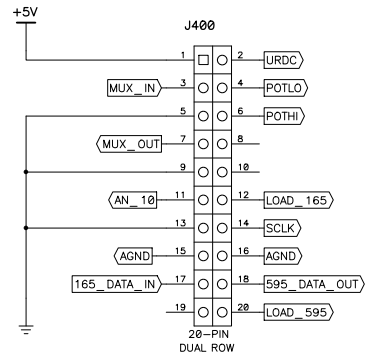
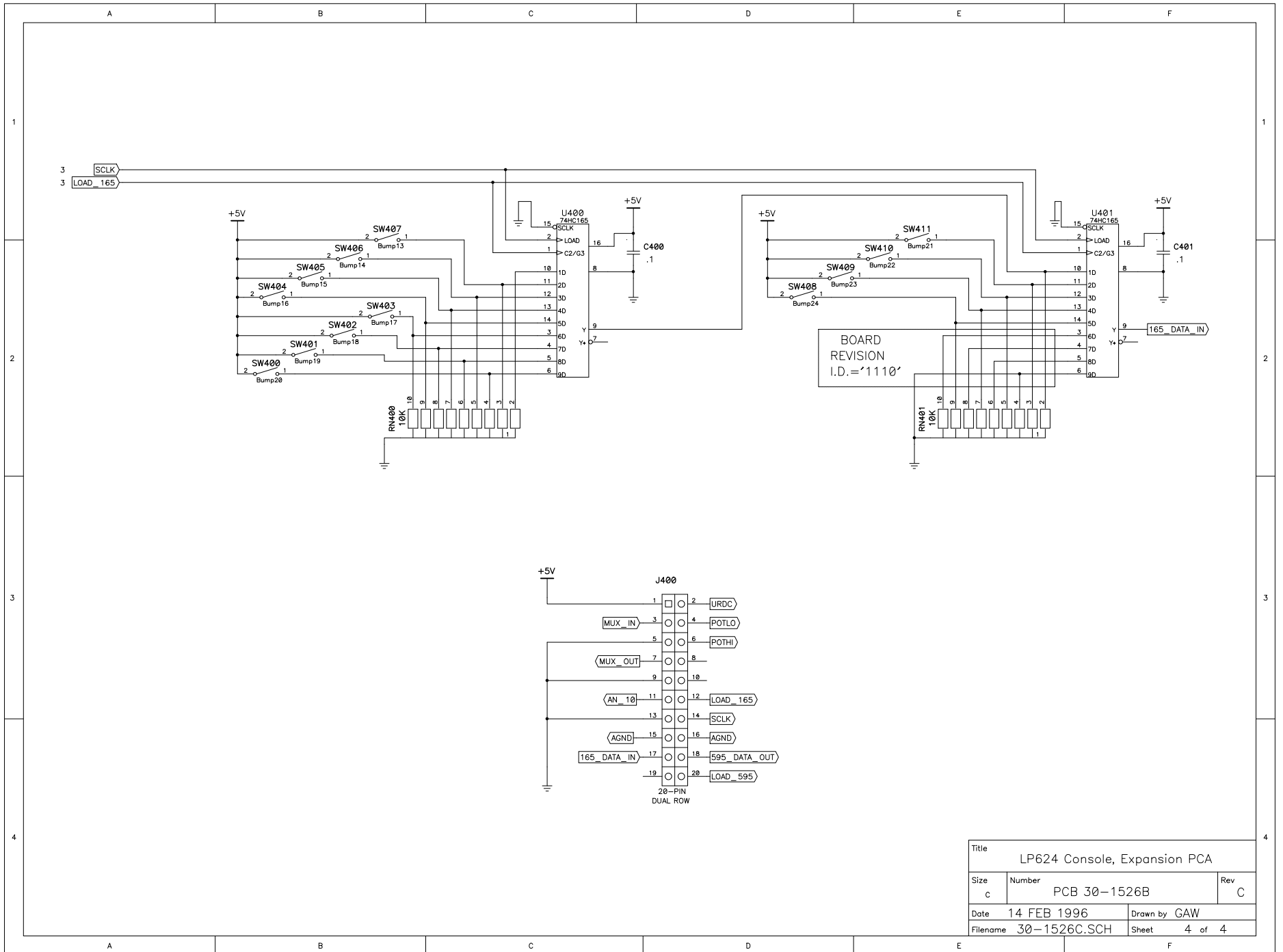
Title			LP624 Console, Expansion PCA	
Size	Number	PCB 30-1526B		Rev
c				C
Date	14 FEB 1996	Drawn by	GAW	
Filename	30-1526C.SCH	Sheet	1 of 4	



Title			LP624 Console, Expansion PCA	
Size	Number			Rev
c	PCB 30-1526B			C
Date	14 FEB 1996	Drawn by		GAW
Filename	30-1526C.SCH	Sheet		2 of 4



Title			LP624 Console, Expansion PCA		
Size	Number	PCB 30-1526B		Rev	C
Date	14 FEB 1996	Drawn by GAW			
Filename	30-1526C.SCH	Sheet 3		of 4	



Title		
LP624 Console, Expansion PCA		
Size	Number	Rev
c	PCB 30-1526B	C
Date	14 FEB 1996	Drawn by GAW
Filename	30-1526C.SCH	Sheet 4 of 4