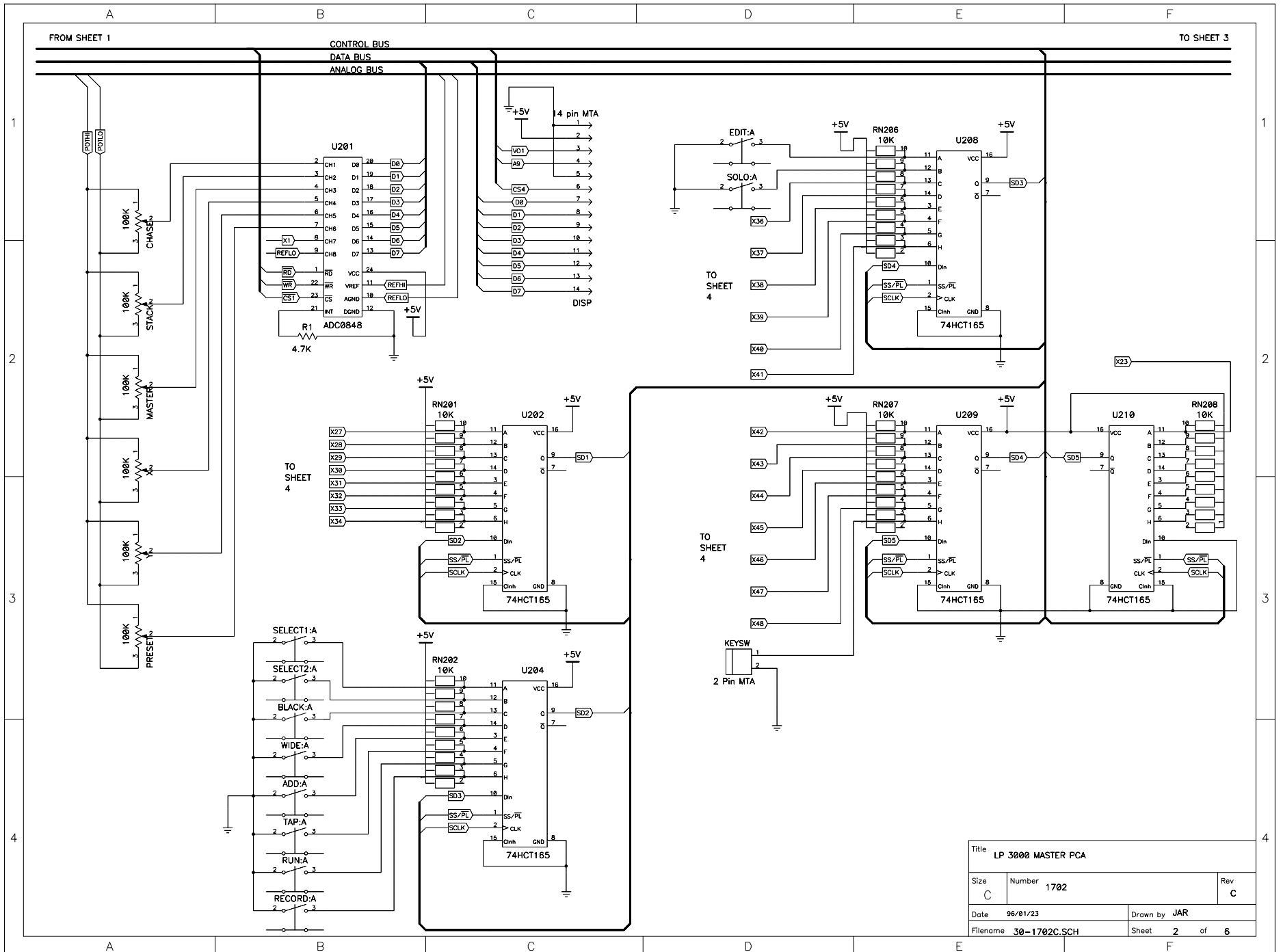


Title			LP 3000 MASTER PCA		
Size	Number	1702		Rev	C
C					
Date	96/01/23		Drawn by	JAR	
Filename	30-1702C.SCH		Sheet	1 of 6	



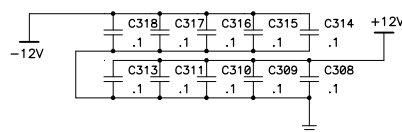
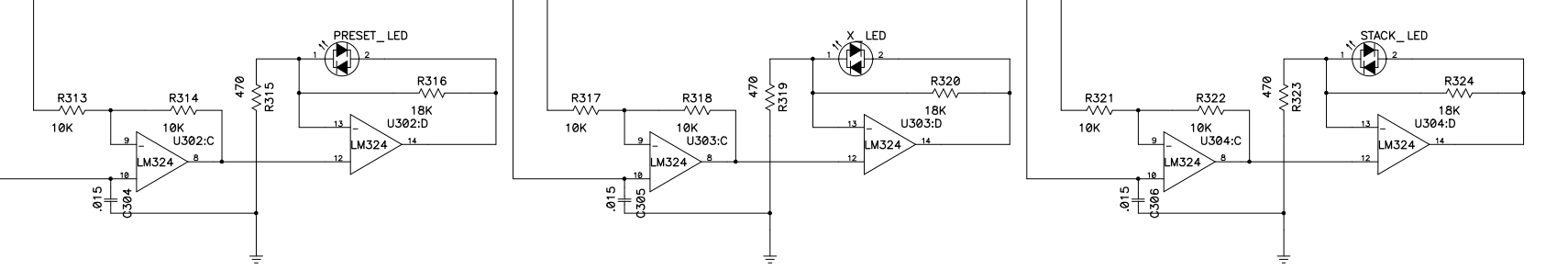
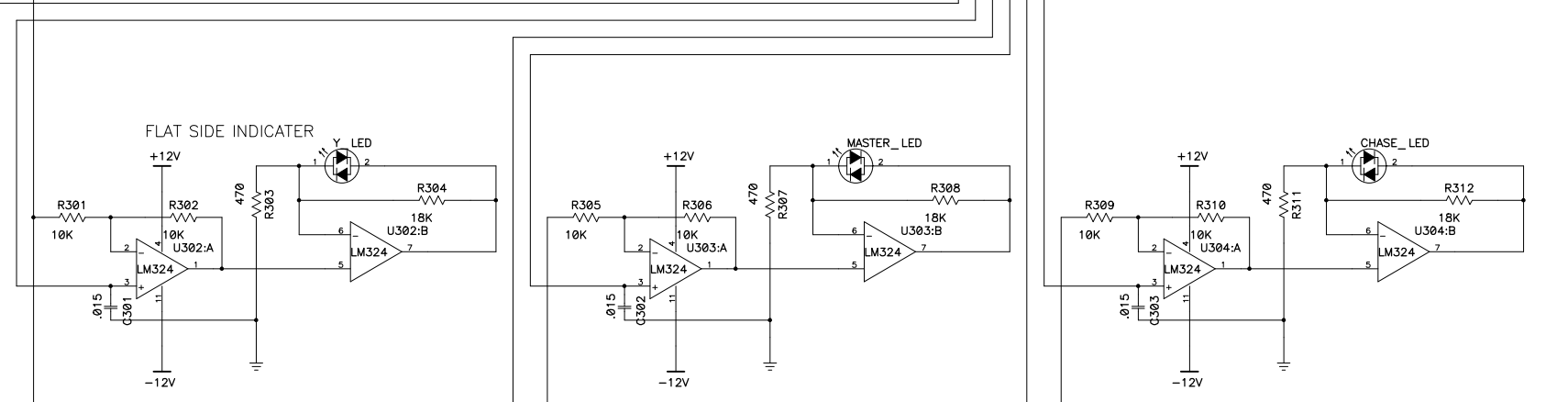
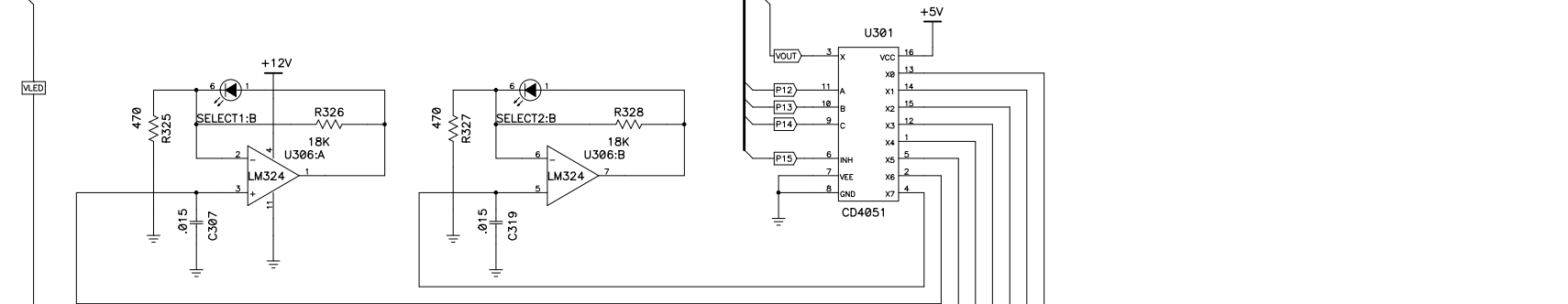
Title			LP 3000 MASTER PCA		
Size	Number	1702		Rev	C
Date	96/01/23		Drawn by JAR		
Filename	30-1702C.SCH		Sheet 2 of 6		

FROM SHEET 2

CONTROL BUS

TO SHEET 4

ANALOG BUS



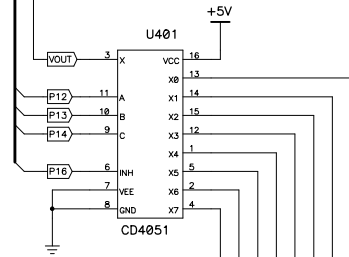
Title LP 3000 MASTER PCA		
Size C	Number 1702	Rev C
Date 96/01/23	Drawn by JAR	
Filename 30-1702C.SCH	Sheet 3	of 6

FROM SHEET 3

CONTROL BUS

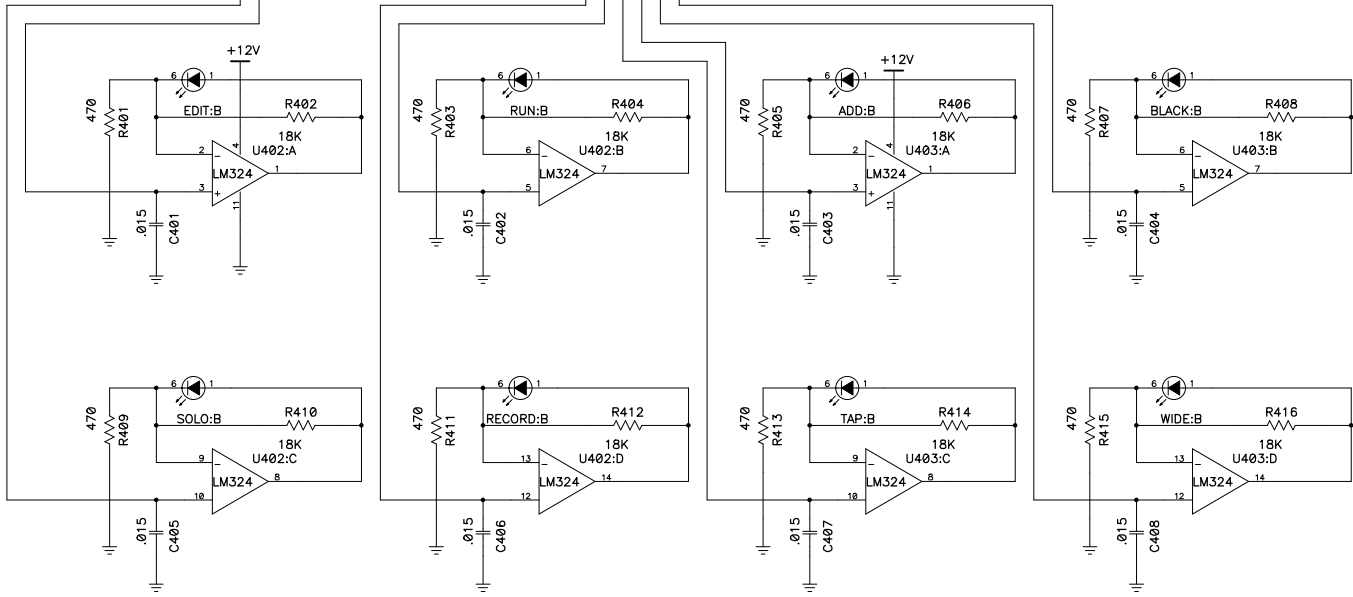
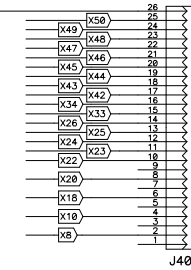
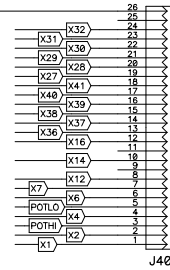
TO SHEET 5

ANALOG BUS

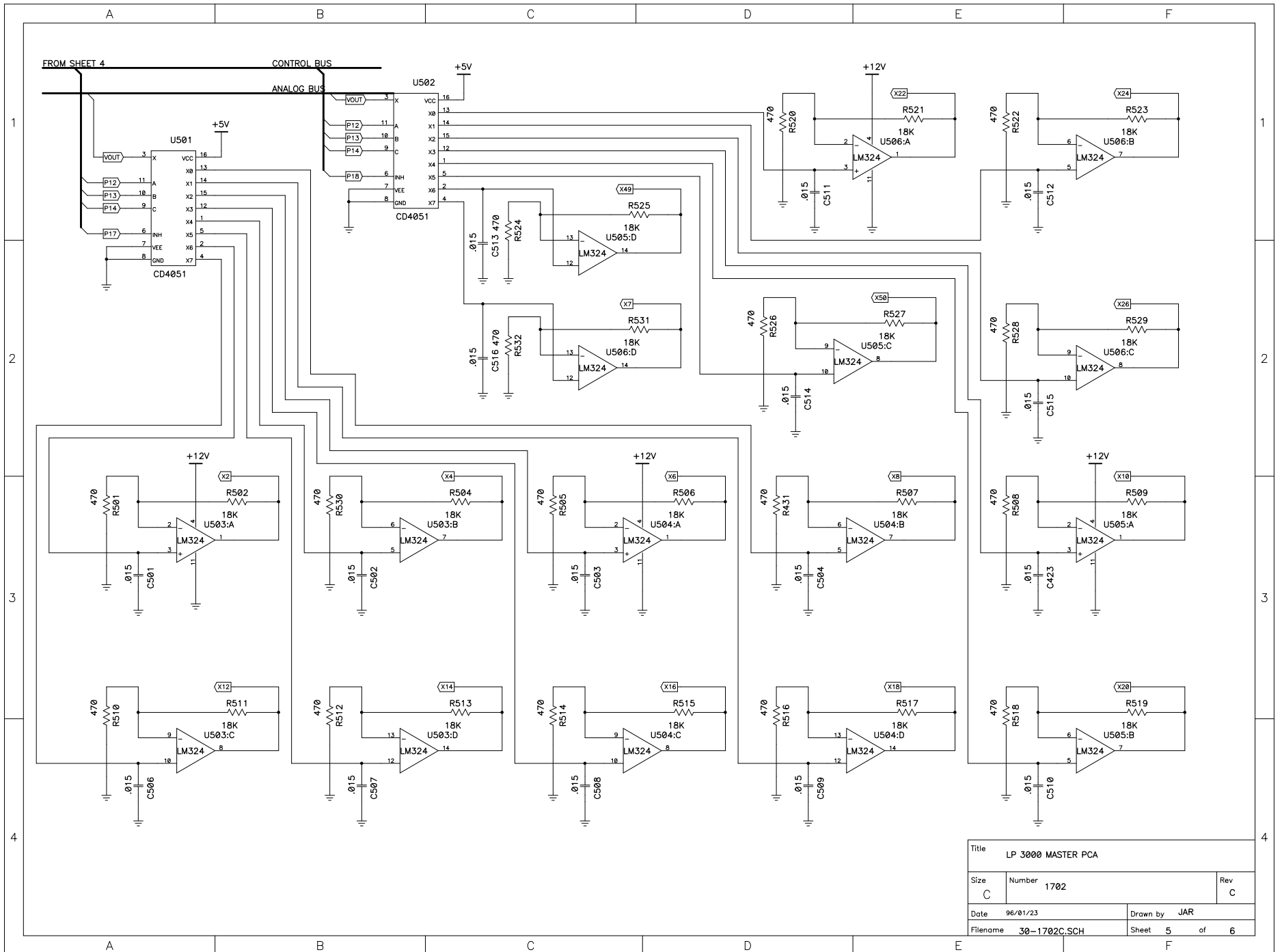


To Switch Board #1

To Switch Board #2



Title LP 3000 MASTER PCA		
Size C	Number 1702	Rev C
Date 96/01/23	Drawn by JAR	
Filename 30-1702C.SCH	Sheet 4	of 6



Title LP 3000 MASTER PCA		
Size C	Number 1702	Rev C
Date 96/01/23	Drawn by JAR	
Filename 30-1702C.SCH	Sheet 5 of 6	

	A	B	C	D	E	F
1						
2	<p>REV. C NOTES:</p> <p>12/18/95 JAR</p> <ol style="list-style-type: none"> <li>1) Reconnect J101 Pin 12 to +5V</li> <li>2) Replace U110</li> <li>3) Remove R115 and R116</li> <li>4) Reconnect U201 Pins 8,9,10</li> <li>5) Reconnect DISP Pin 5 to GND</li> <li>6) Reconnect J401 Pin 1,3 and 5</li> <li>7) Connect U104 Pin 7 to Signal SS/<math>\overline{PL}</math></li> <li>8) Place flat side indicator on all individual Led's (Pin 1)</li> <li>9) Connect up U506D</li> </ol>					
3						
4						
	A	B	C	D	E	F

1702C  
1702A  
HISTORY

Title		LP 3000 MASTER PCA	
Size	Number	Rev	
C	1702	C	
Date	96/01/23	Drawn by	JAR
Filename	30-1702C.SCH	Sheet	6 of 6