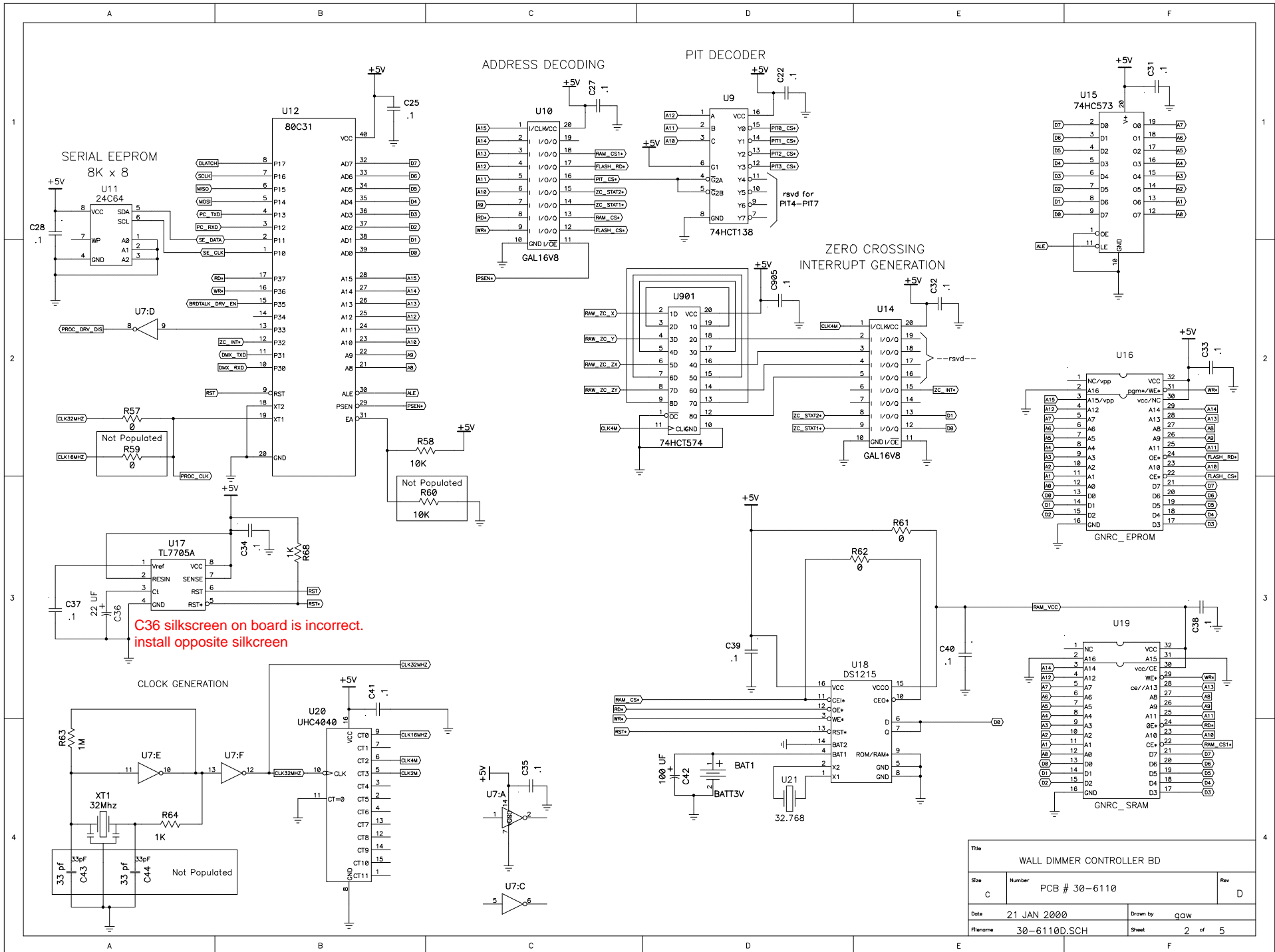
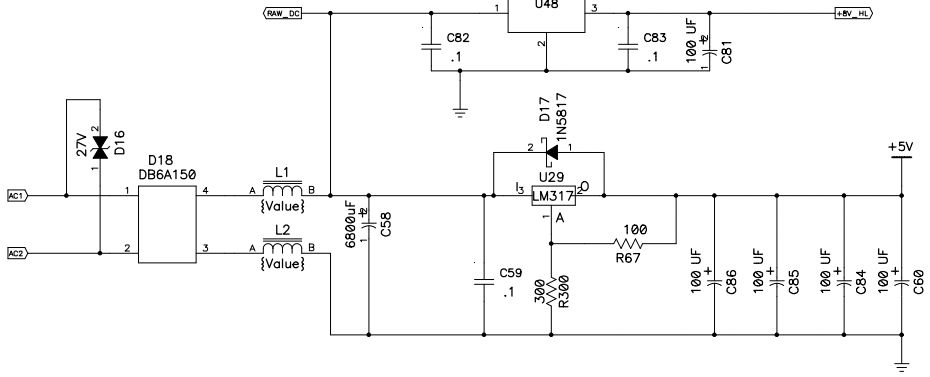
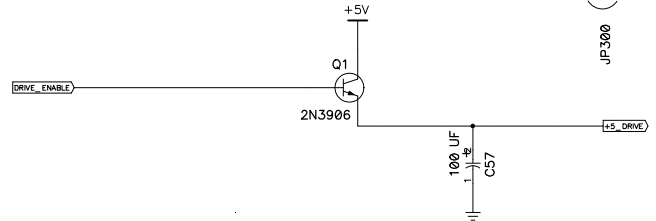
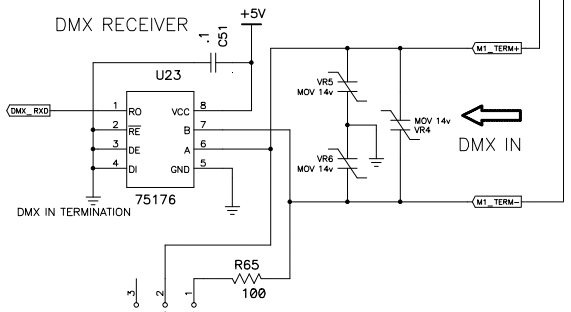
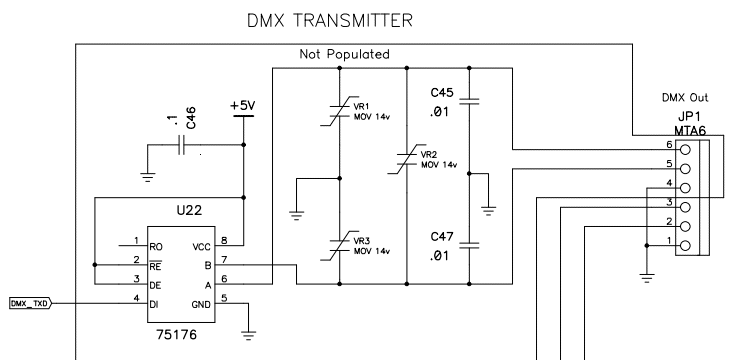
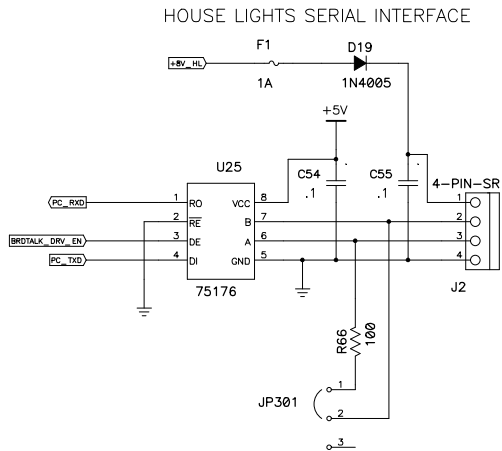


ISOLATED +/- 5V POWER SUPPLY FOR ZERO CROSSING DETECTORS

Title WALL DIMMER CONTROLLER BD		
Size C	Number PCB # 30-6110	Rev D
Date 21 JAN 2000	Drawn by gaw	
Filename 30-6110D.SCH	Sheet 1 of 5	





Title			WALL DIMMER CONTROLLER BD		
Size	Number	PCB # 30-6110		Rev	D
C					
Date	21 JAN 2000	Drawn by	gaw		
Filename	30-6110D.SCH	Sheet	3 of 5		

