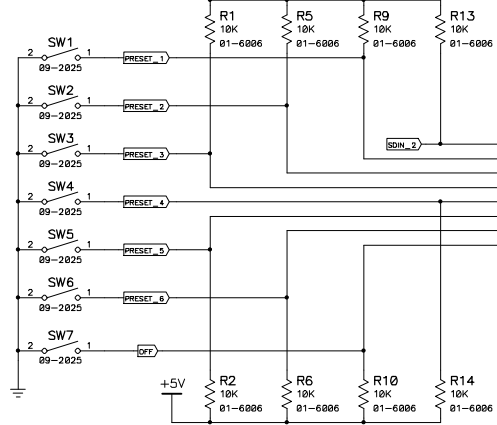
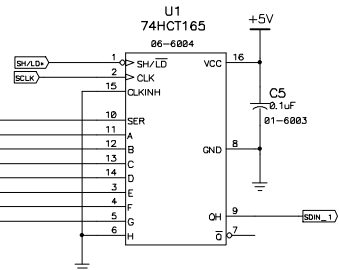


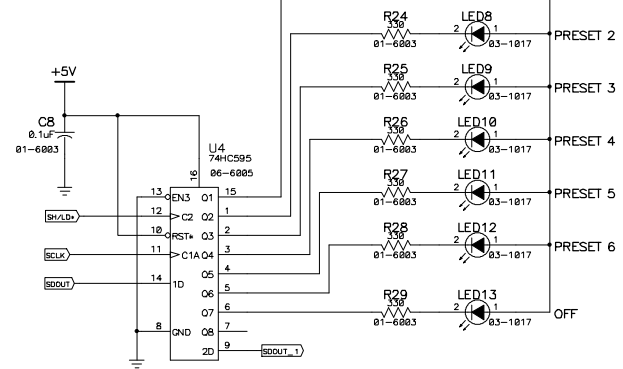
USER
BUTTONS



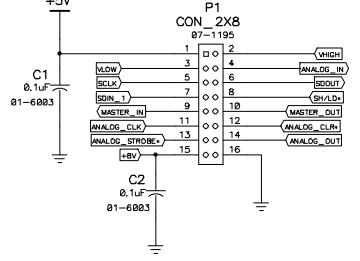
INPUT SHIFT REGISTER #1



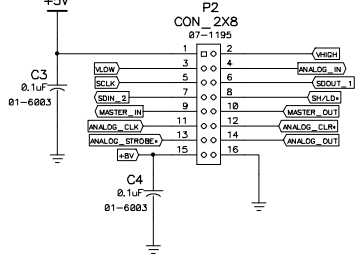
OUTPUT SHIFT REGISTER #1



INPUT INTERFACE CONNECTOR



OUTPUT INTERFACE CONNECTOR



REVISION NOTES:
 7/10/00 gaw Initial Release.
 7/17/00 gaw CAE P/N updates.
 2/21/01 gaw Rev B changes.

Title House Lights A.S., Preset 6 Bd.		
Size C	Number PCB # 30-6123	Rev B
Date 5 MARCH 2001	Drawn by gaw	
Filename P6_B.SCH	Sheet 1 of 1	