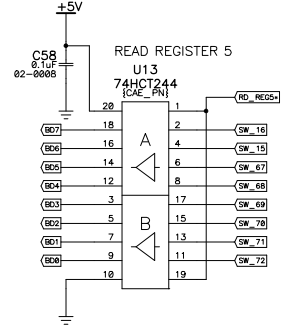
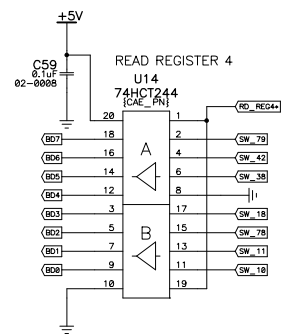
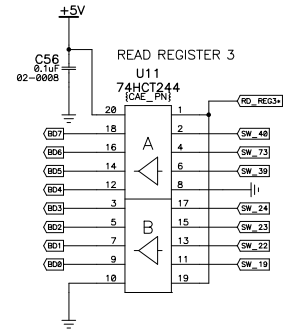
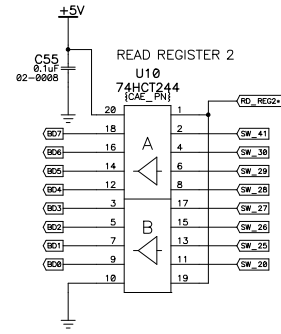
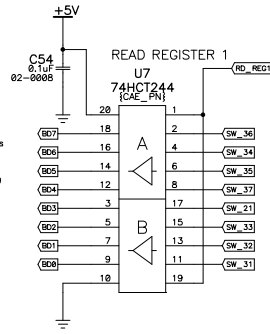
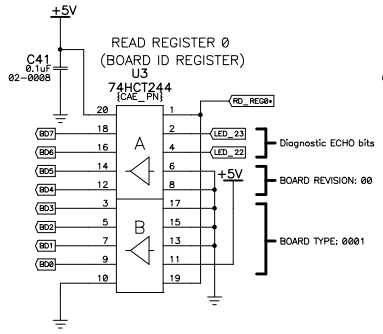
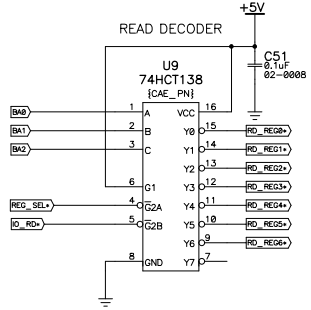
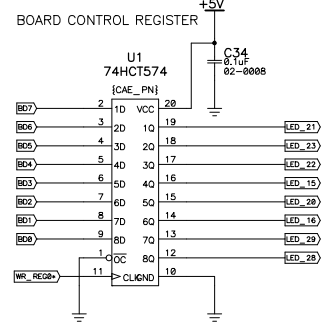
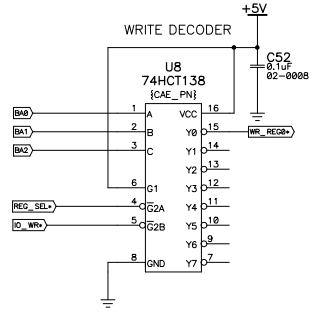
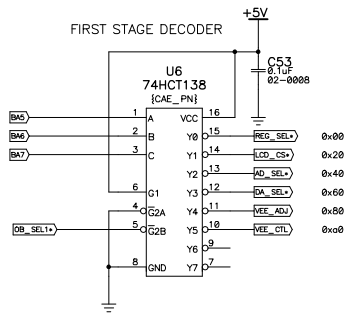


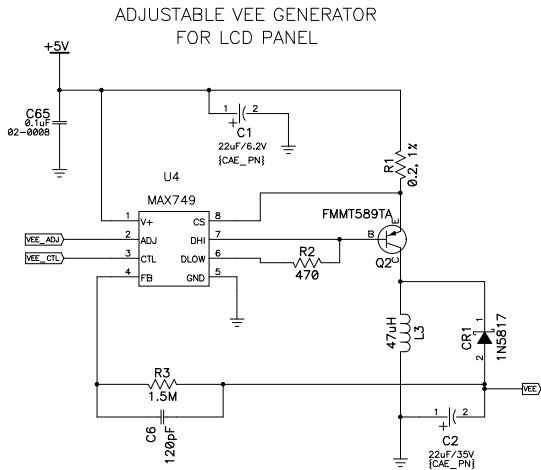
Connectors, Power Distribution

Title LP700 Display Board		
Size C	Number PCB # 30-7002	Rev B
Date 20 MARCH 2001	Drawn by gqw	
Filename DISP_B.SCH	Sheet 1 of 4	

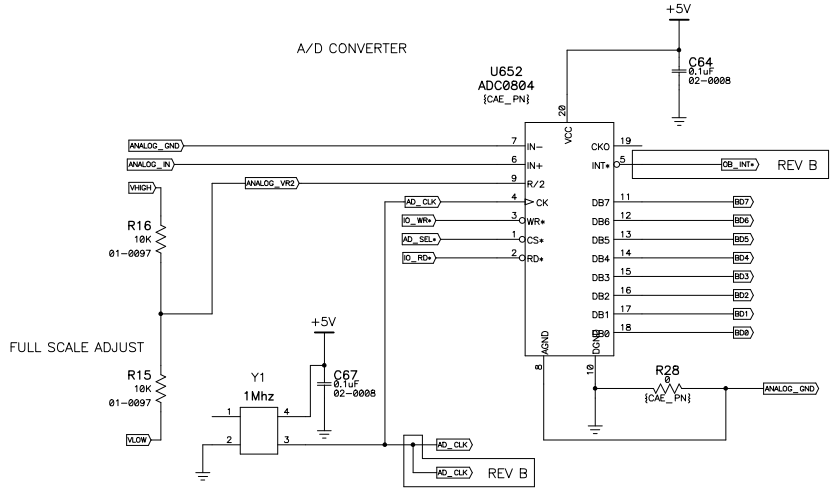
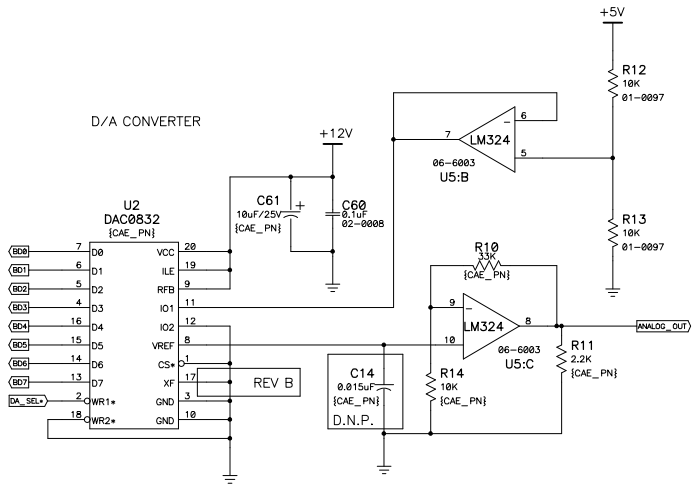
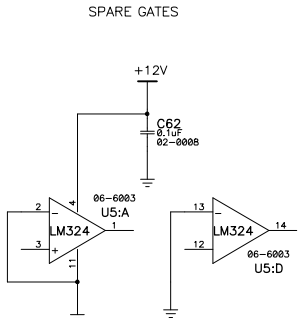


Address decoding, I/O buffers & latches

Title LP700 Display Board		
Size C	Number PCB # 30-7002	Rev B
Date 20 MARCH 2001	Drawn by gGW	
Filename DISP_B.SCH	Sheet 2	of 4

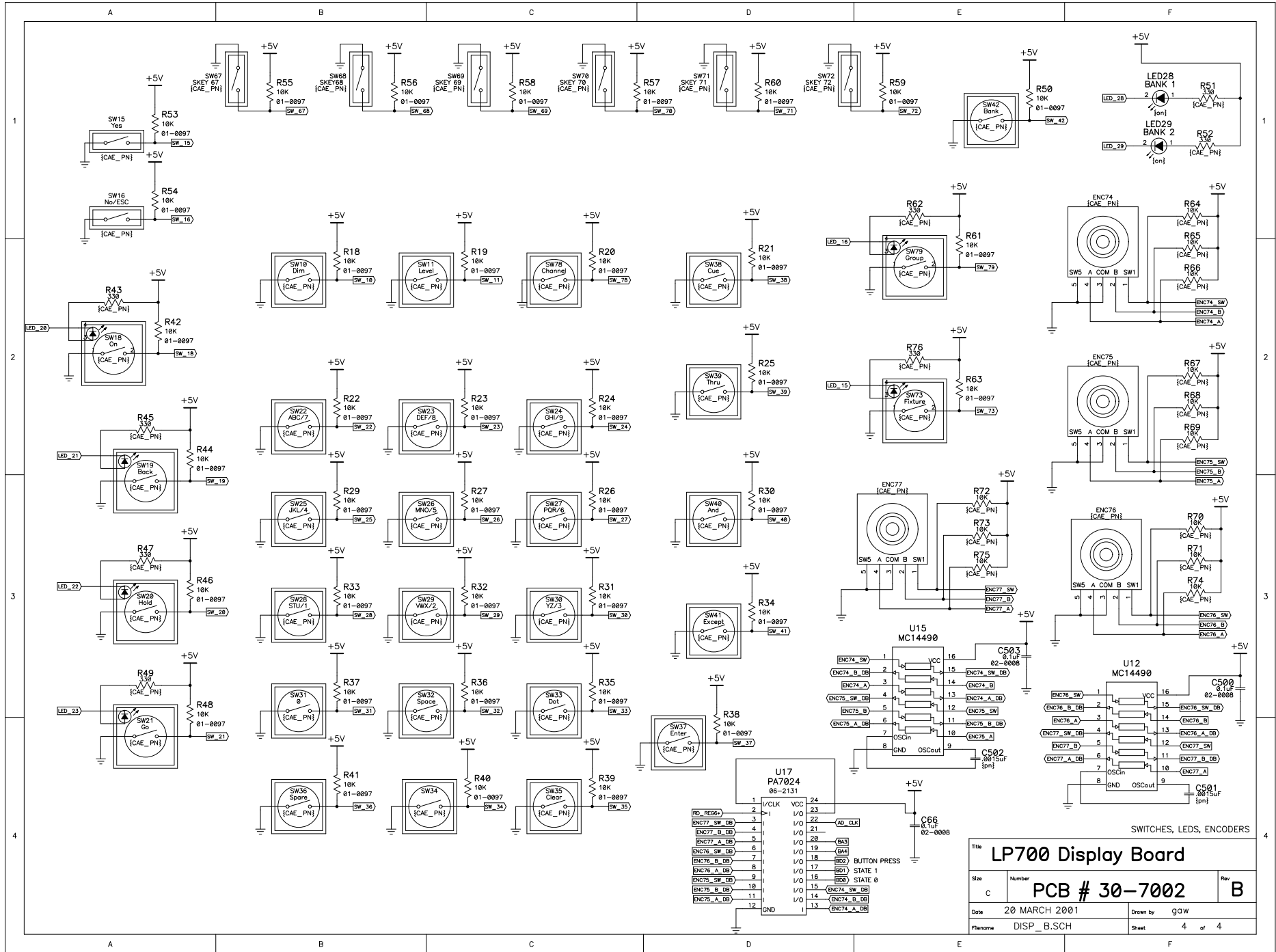


VEE max = 23V
 $R_{fb} = 23V / 13.33\mu A = 1.15 \text{ MegOhms}$
 $C_{fb} = 0-220\text{pF}$, choose 150 pF
 $R_{sense} = 0.2 \text{ ohms}$ (see chart in data sheet)



A/D, D/A Converters, VEE Generator

Title LP700 Display Board		
Size C	Number PCB # 30-7002	Rev B
Date 20 MARCH 2001	Drawn by gGW	
Filename DISP_B.SCH	Sheet 3 of 4	



Title		
LP700 Display Board		
Size	Number	Rev
C	PCB # 30-7002	B
Date	20 MARCH 2001	Drawn by
Filename	DISP_B.SCH	gGW
		Sheet
		4 of 4

SWITCHES, LEDES, ENCODERS