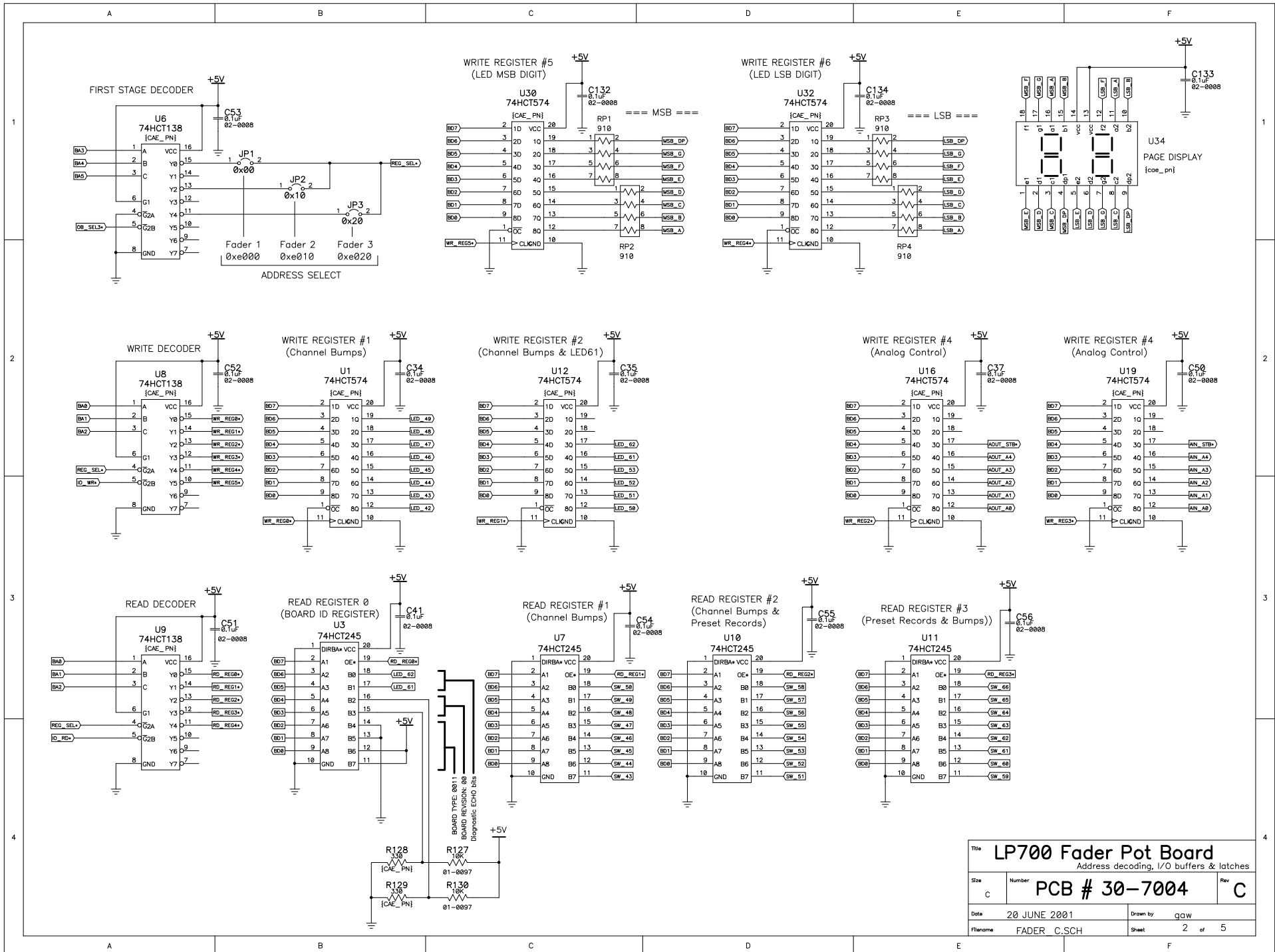
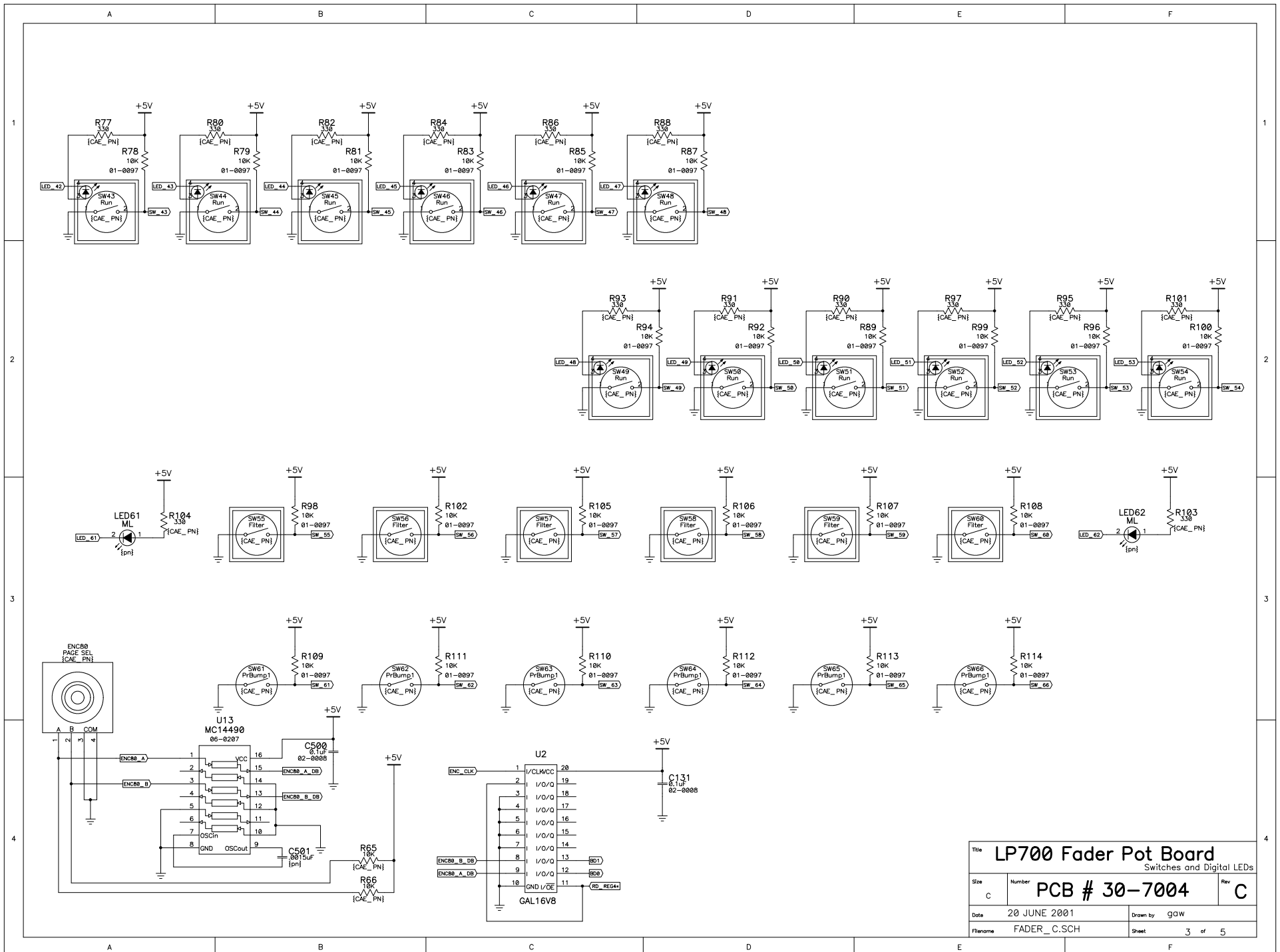


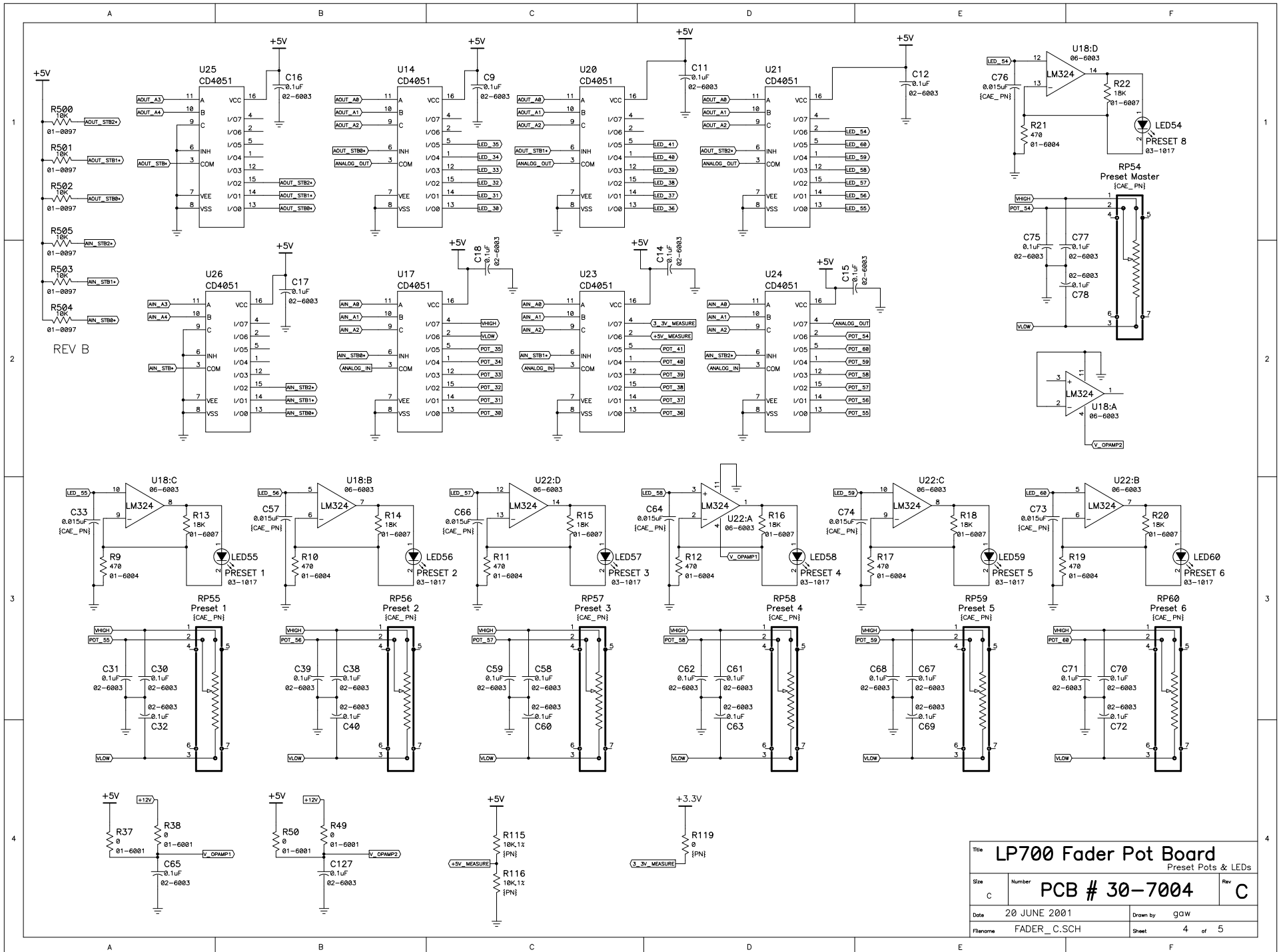
Title LP700 Fader Pot Board		
Connectors, Power Distribution		
Size C	Number PCB # 30-7004	Rev C
Date 20 JUNE 2001	Drawn by gaw	Sheet 1 of 5
Filename FADER_C.SCH		



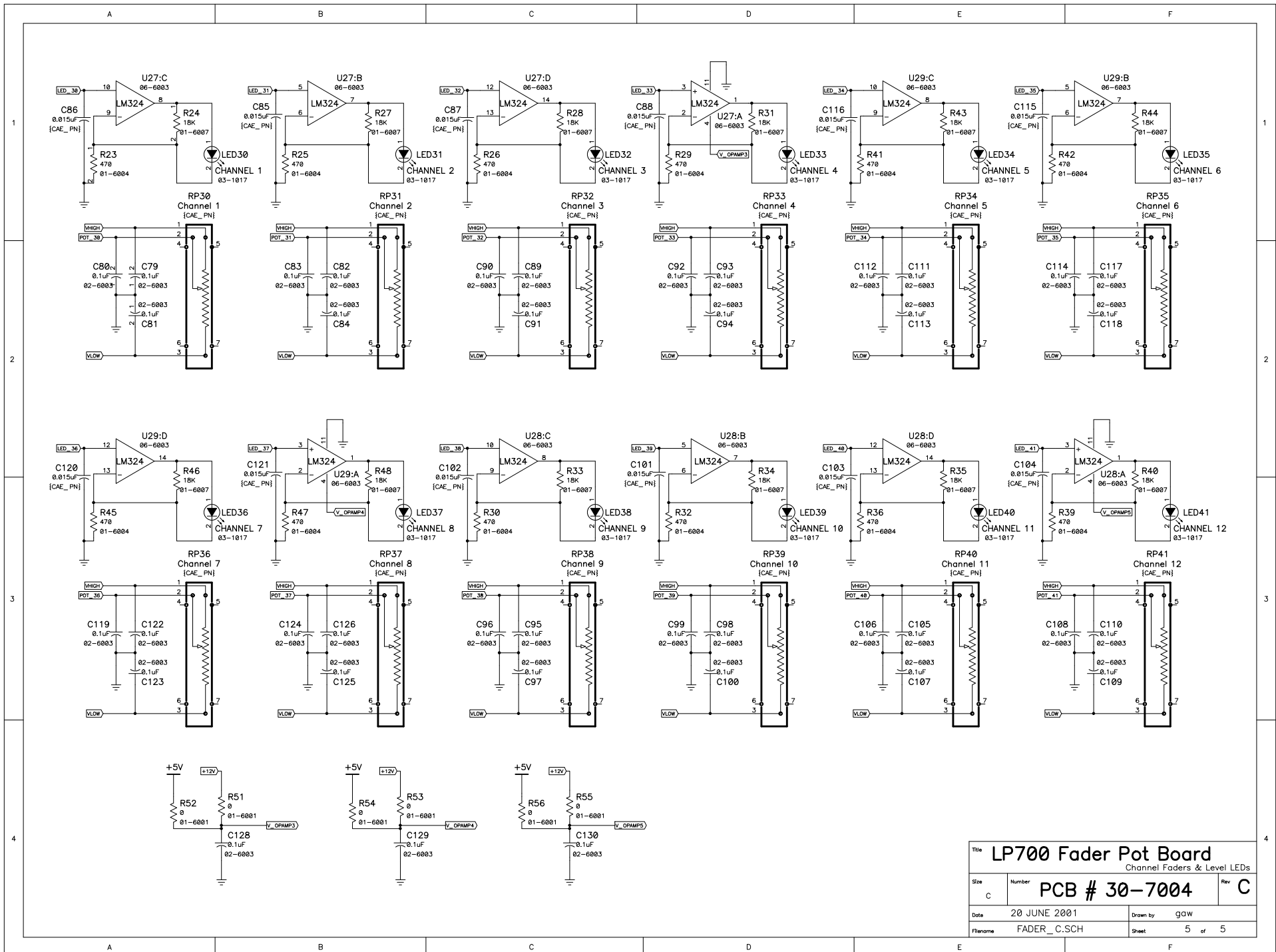
Title LP700 Fader Pot Board		
Address decoding, I/O buffers & latches		
Size C	Number PCB # 30-7004	Rev C
Date 20 JUNE 2001	Drawn by gaw	
Filename FADER_C.SCH	Sheet 2	of 5



Title			LP700 Fader Pot Board		
			Switches and Digital LEDs		
Size	Number	PCB # 30-7004		Rev	C
C					
Date	20 JUNE 2001		Drawn by	gaw	
Filename	FADER_C.SCH		Sheet	3 of 5	



Title			LP700 Fader Pot Board	
			Preset Pots & LEDs	
Size	Number	PCB # 30-7004		Rev
C				C
Date	20 JUNE 2001	Drawn by	gOW	
Filename	FADER_C.SCH	Sheet	4 of 5	



Title			LP700 Fader Pot Board	
			Channel Faders & Level LEDs	
Size	Number	PCB # 30-7004		Rev
C				C
Date	20 JUNE 2001	Drawn by	GAW	
Filename	FADER_C.SCH	Sheet	5 of 5	