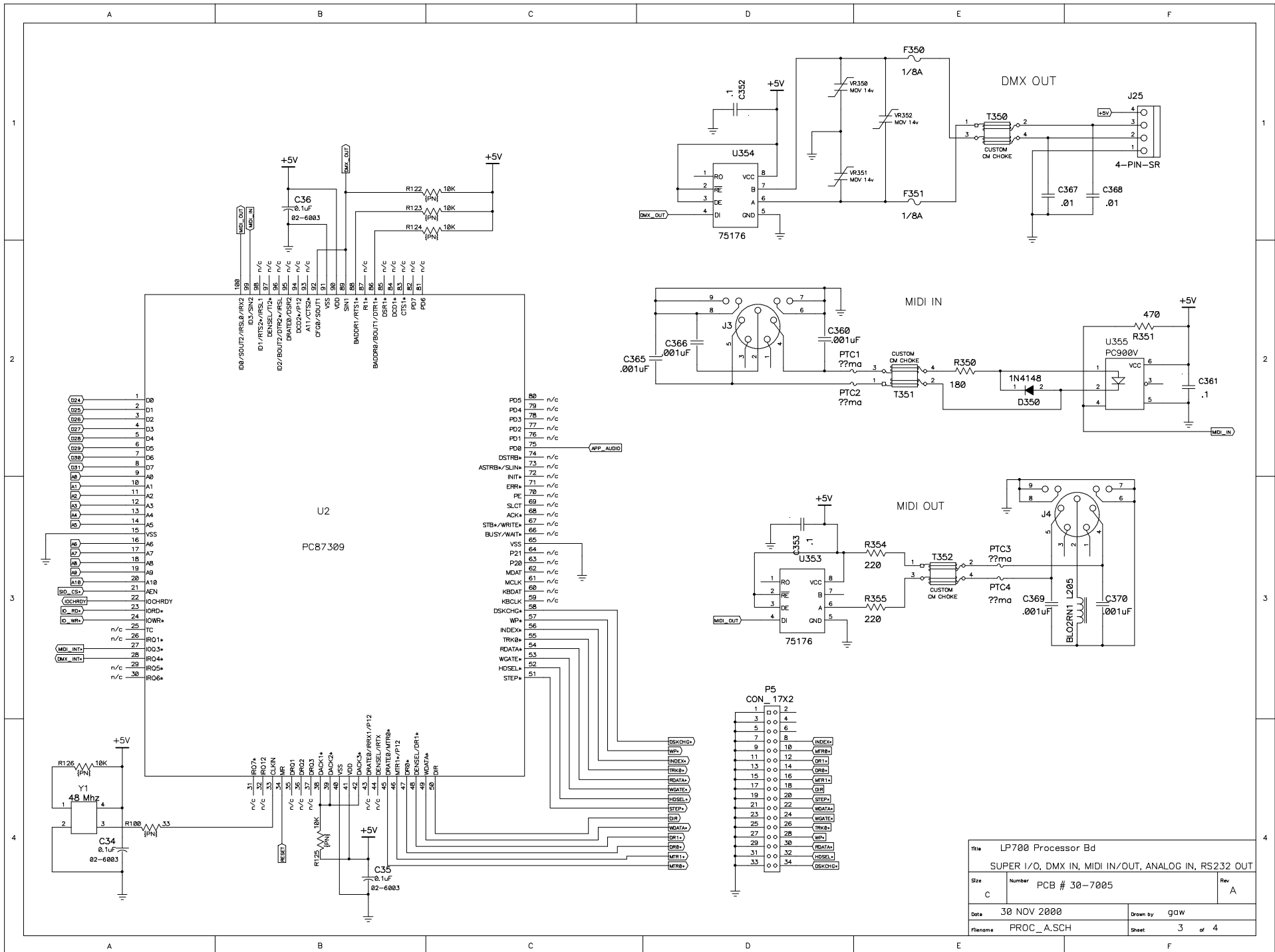
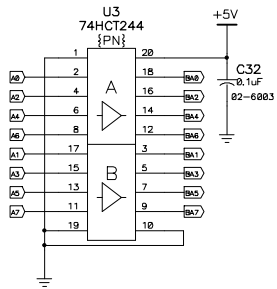


Title		LP700 Processor Bd	
Size		MEMORIES (FLASH & SRAM), RTC, RS232 I/O	
C	Number	PCB # 30-7005	Rev A
Date		30 NOV 2000	Drawn by gaw
Filename		PROC_A.SCH	Sheet 2 of 4

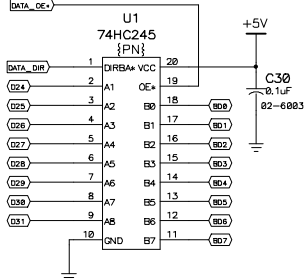


Title		LP700 Processor Bd	
Size		SUPER I/O, DMX IN, MIDI IN/OUT, ANALOG IN, RS232 OUT	
C	Number	PCB # 30-7005	Rev A
Date		30 NOV 2000	Drawn by gow
Filename		PROC_A_SCH	Sheet 3 of 4

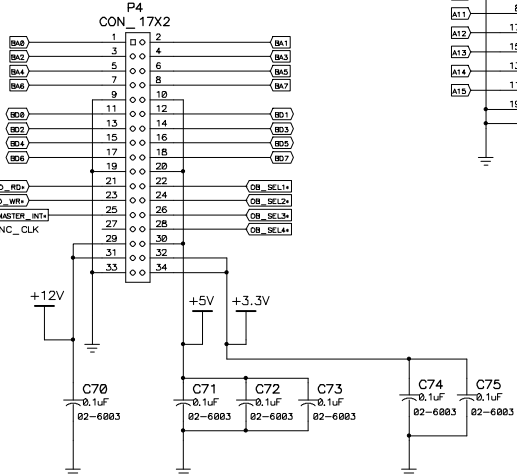
OFFBOARD ADDRESS BUFFERS



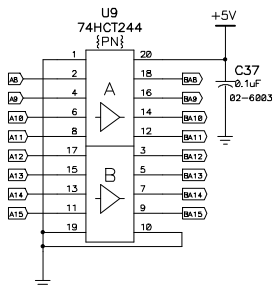
OFFBOARD DATA BUFFERS



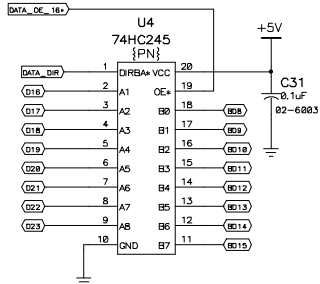
CONNECTOR TO DISPLAY BD



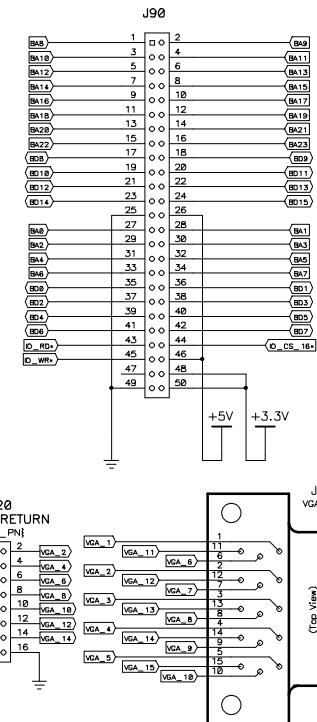
OFFBOARD ADDRESS BUFFERS for 16-BIT SLOT



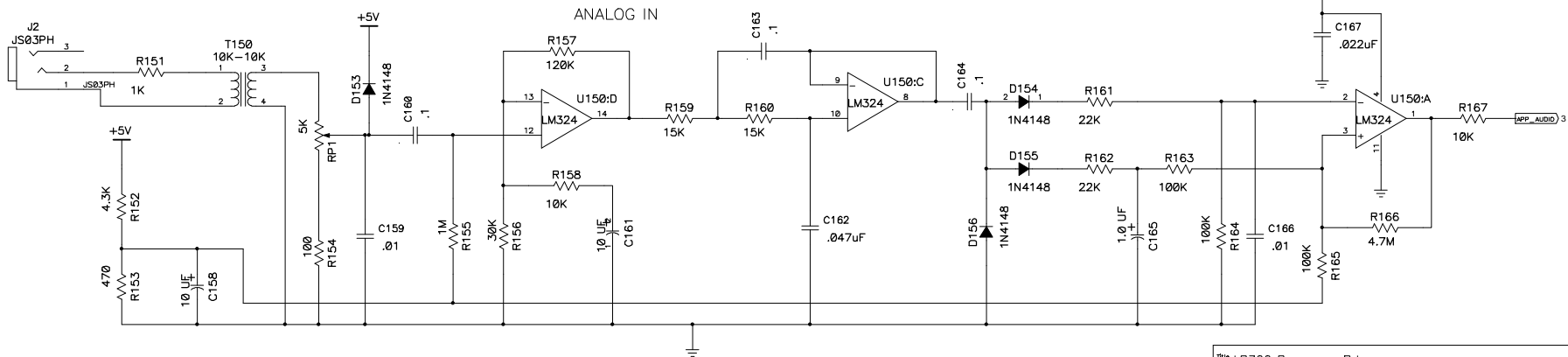
OFFBOARD DATA BUFFERS for 16-BIT SLOT



CONNECTOR TO 16-BIT EXPANSION BOARDS



ANALOG IN



Title LP700 Processor Bd		
DISPLAY BD CONNECTOR, BUFFERS, ANALOG IN		
Size C	Number PCB # 30-7005	Rev A
Date 30 NOV 2000	Drawn by gow	
Filename PROC_A.SCH	Sheet 4 of 4	