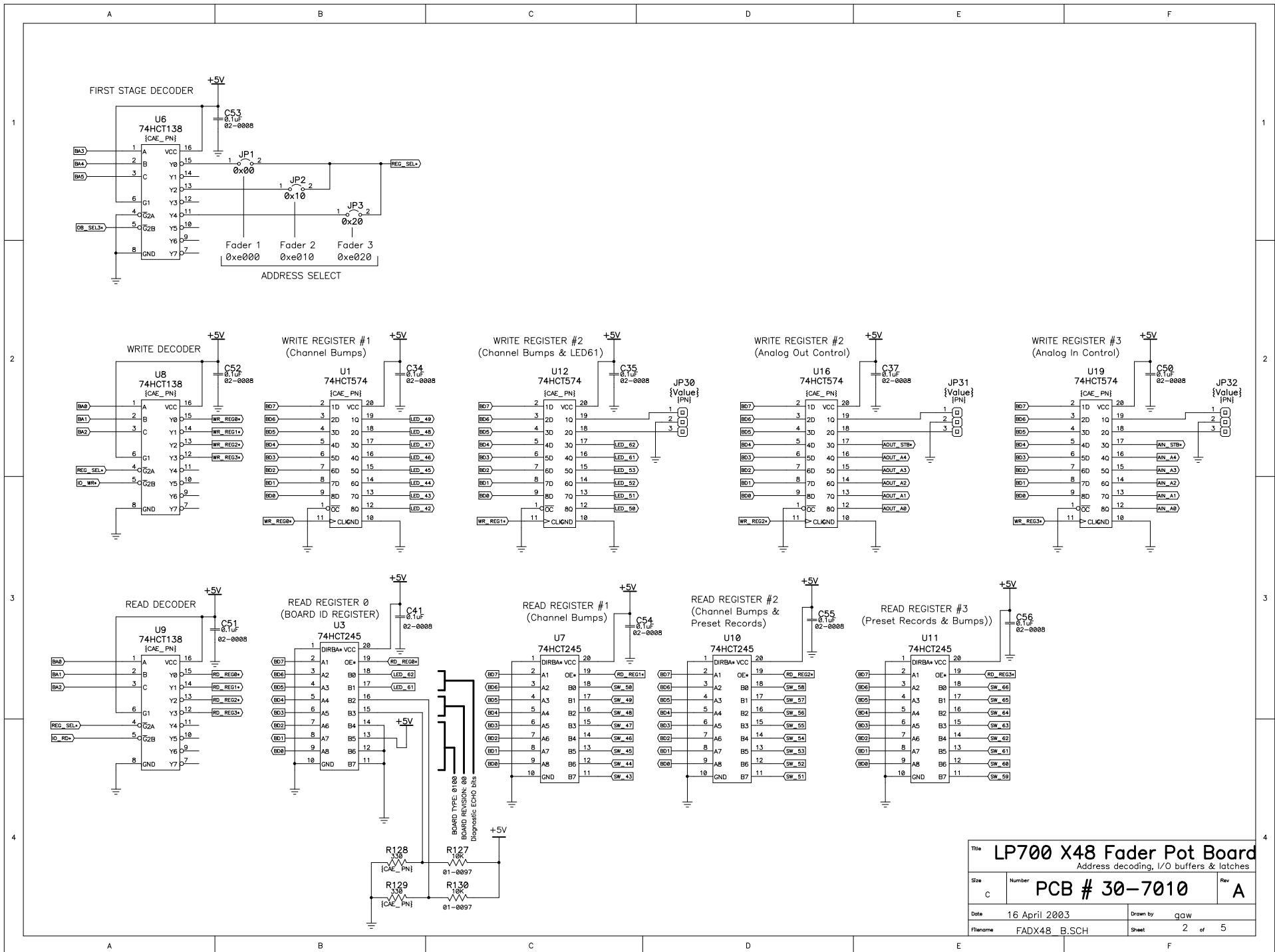
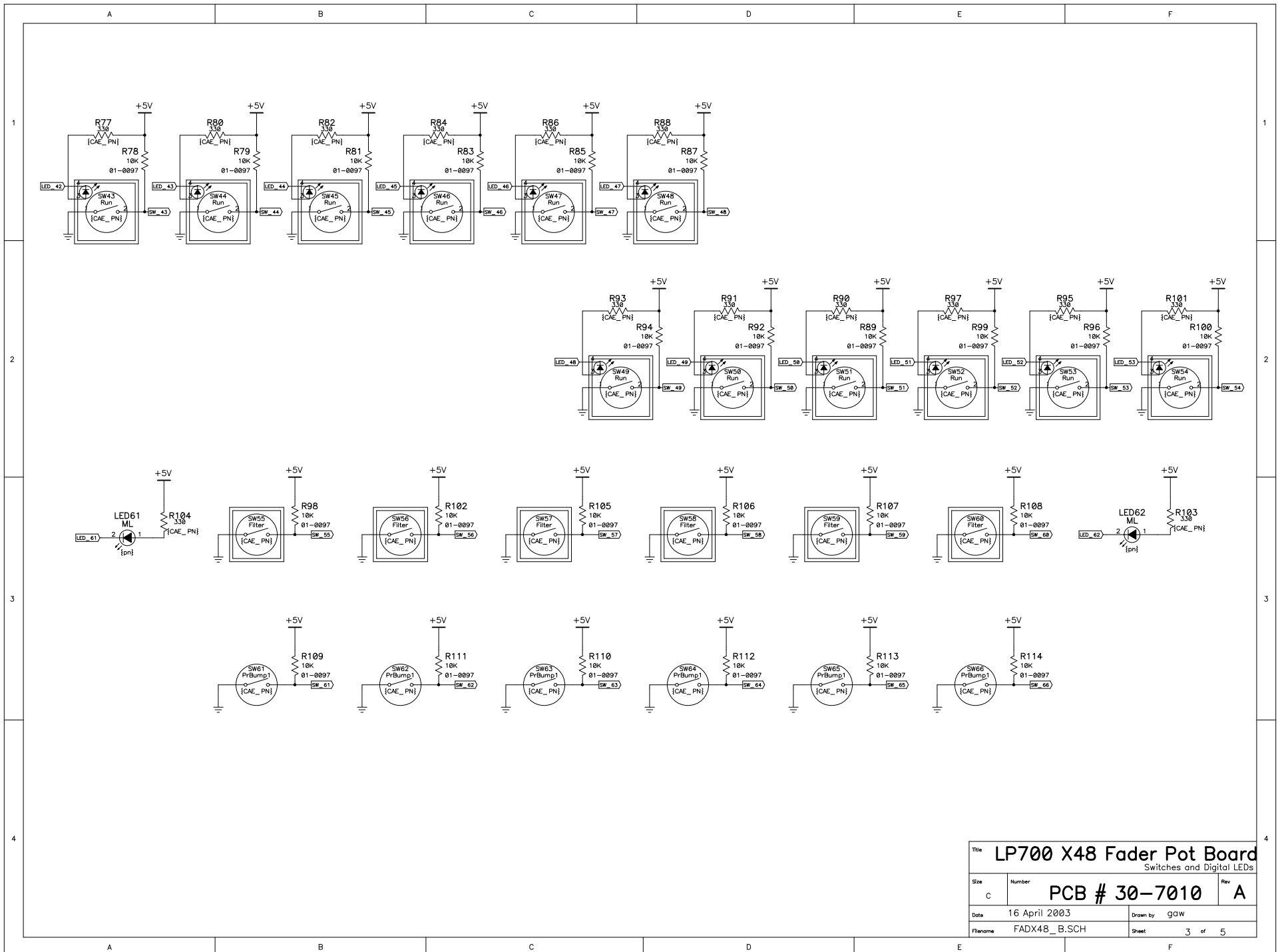


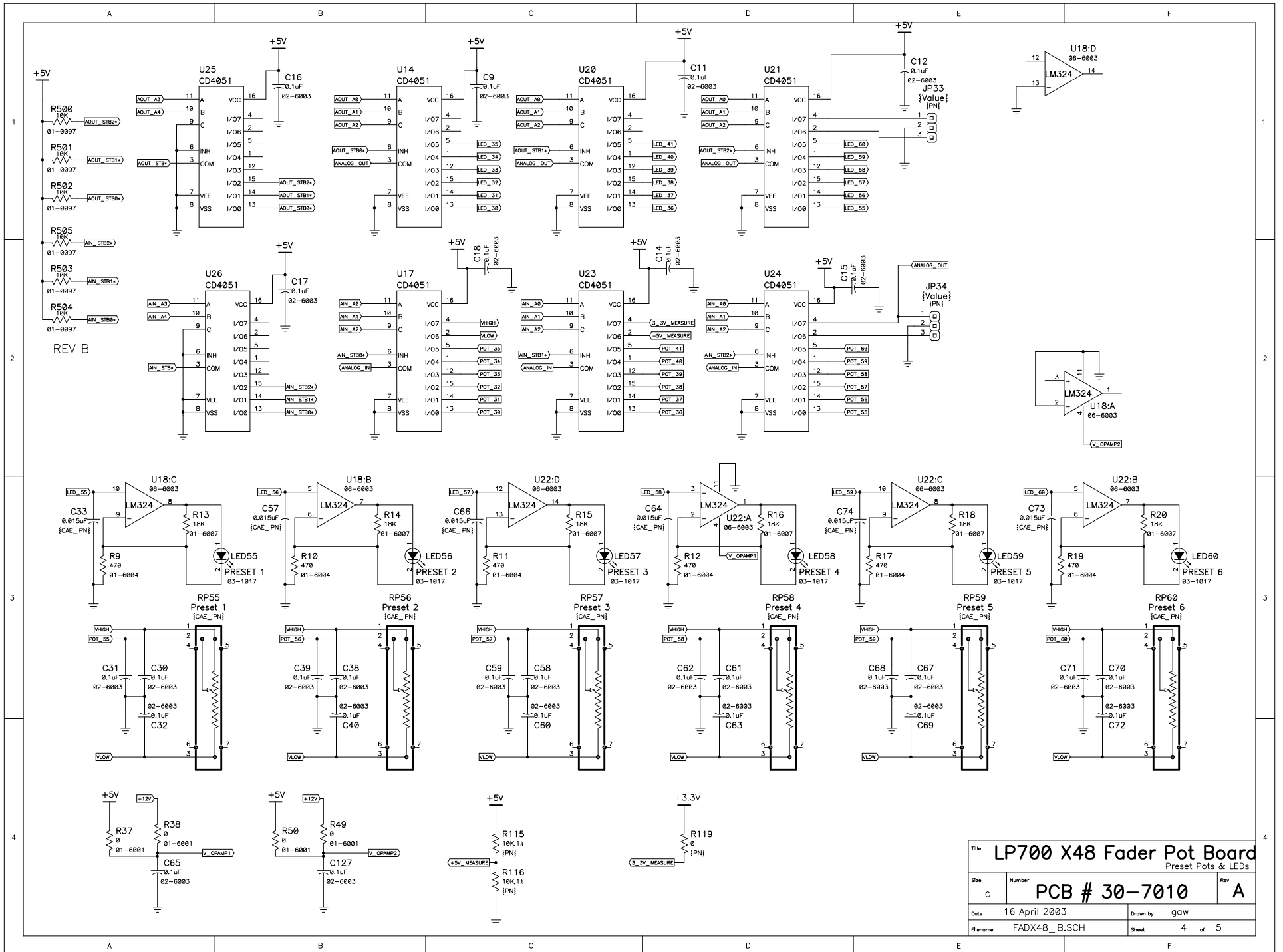
Title <b>LP700 X48 Fader Pot Board</b>			Rev <b>A</b>
Size <b>C</b>	Number <b>PCB # 30-7010</b>		
Date <b>16 April 2003</b>	Drawn by <b>gaw</b>		
Filename <b>FADX48_B.SCH</b>	Sheet <b>1</b>	of <b>5</b>	



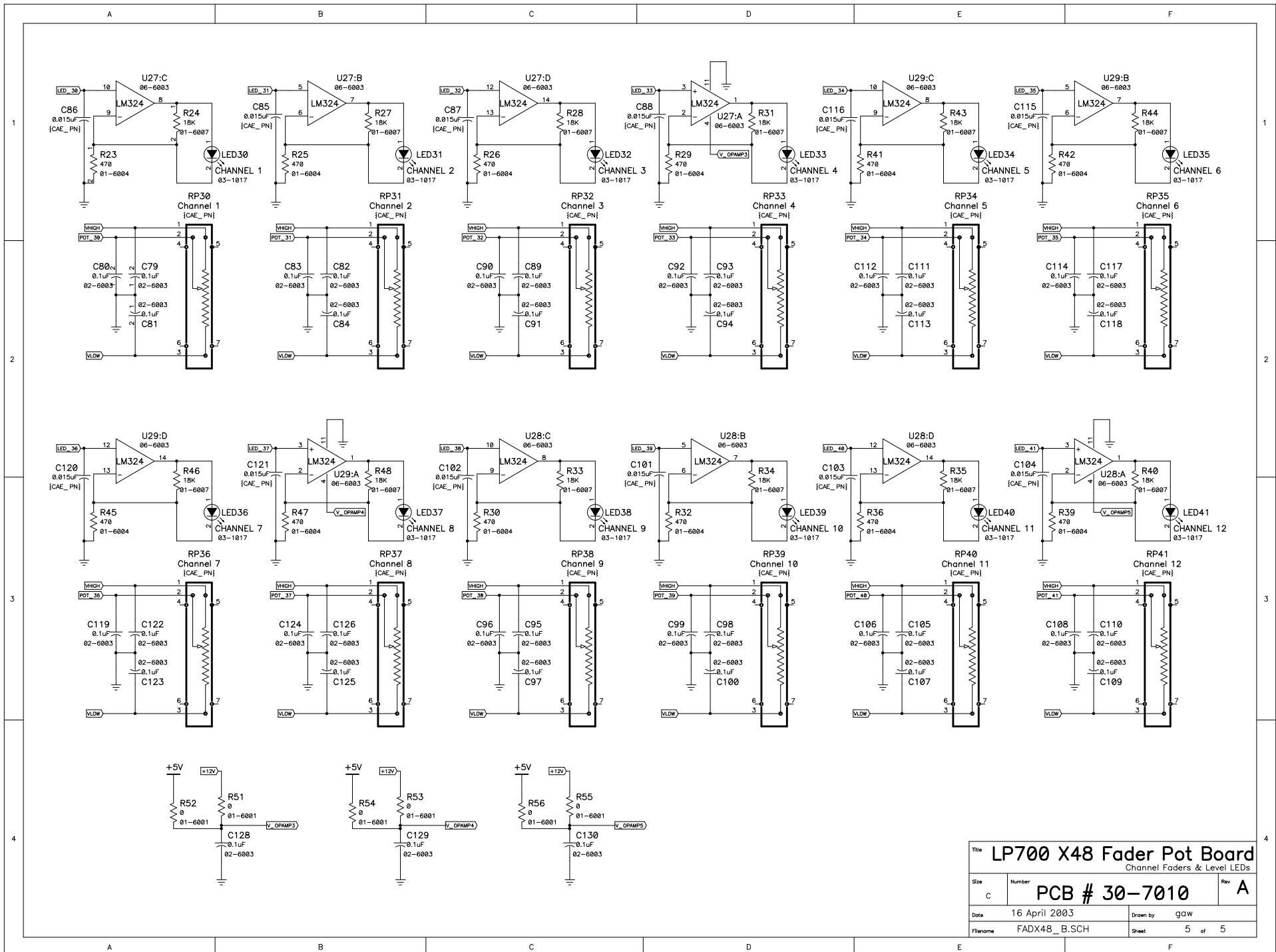
Title		<b>LP700 X48 Fader Pot Board</b>	
Address decoding, I/O buffers & latches			
Size	Number	<b>PCB # 30-7010</b>	Rev
C			<b>A</b>
Date	16 April 2003	Drawn by	gaw
Filename	FADX48_B.SCH	Sheet	2 of 5



Title			LP700 X48 Fader Pot Board	
Size			Number	
C			PCB # 30-7010	
Date			Rev	
16 April 2003			A	
Filename			Sheet	
FADX48_B.SCH			3 of 5	



Title			LP700 X48 Fader Pot Board	
Size			PCB # 30-7010	
Date			16 April 2003	
Filename			FADX48_B.SCH	
Number			Rev A	
Drawn by			gOW	
Sheet			4 of 5	



Title			<b>LP700 X48 Fader Pot Board</b>	
			Channel Faders & Level LEDs	
Size	Number	PCB # 30-7010		Rev
C				A
Date	16 April 2003	Drawn by	GAW	
Filename	FADx48_B.SCH	Sheet	5	of 5