

8

7

6

5

4

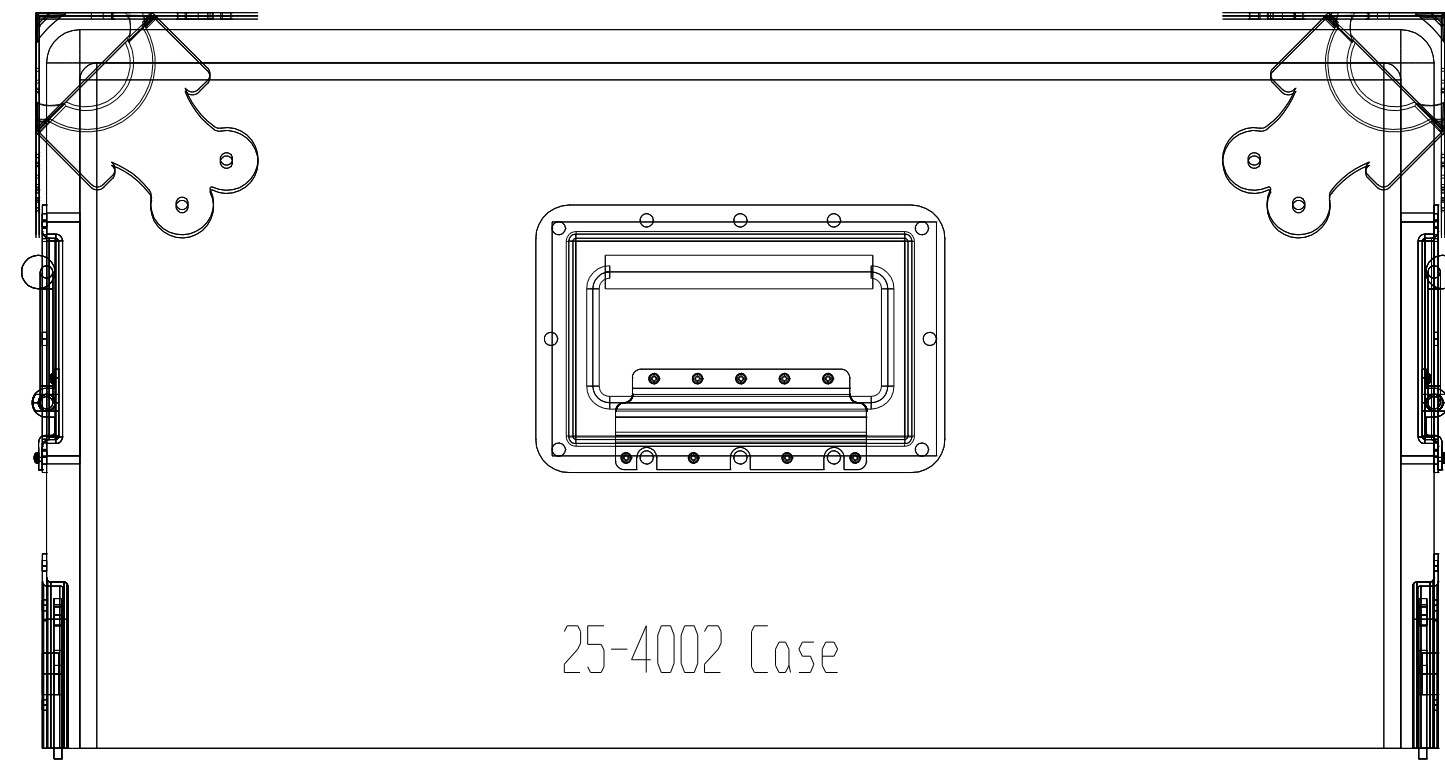
3

2

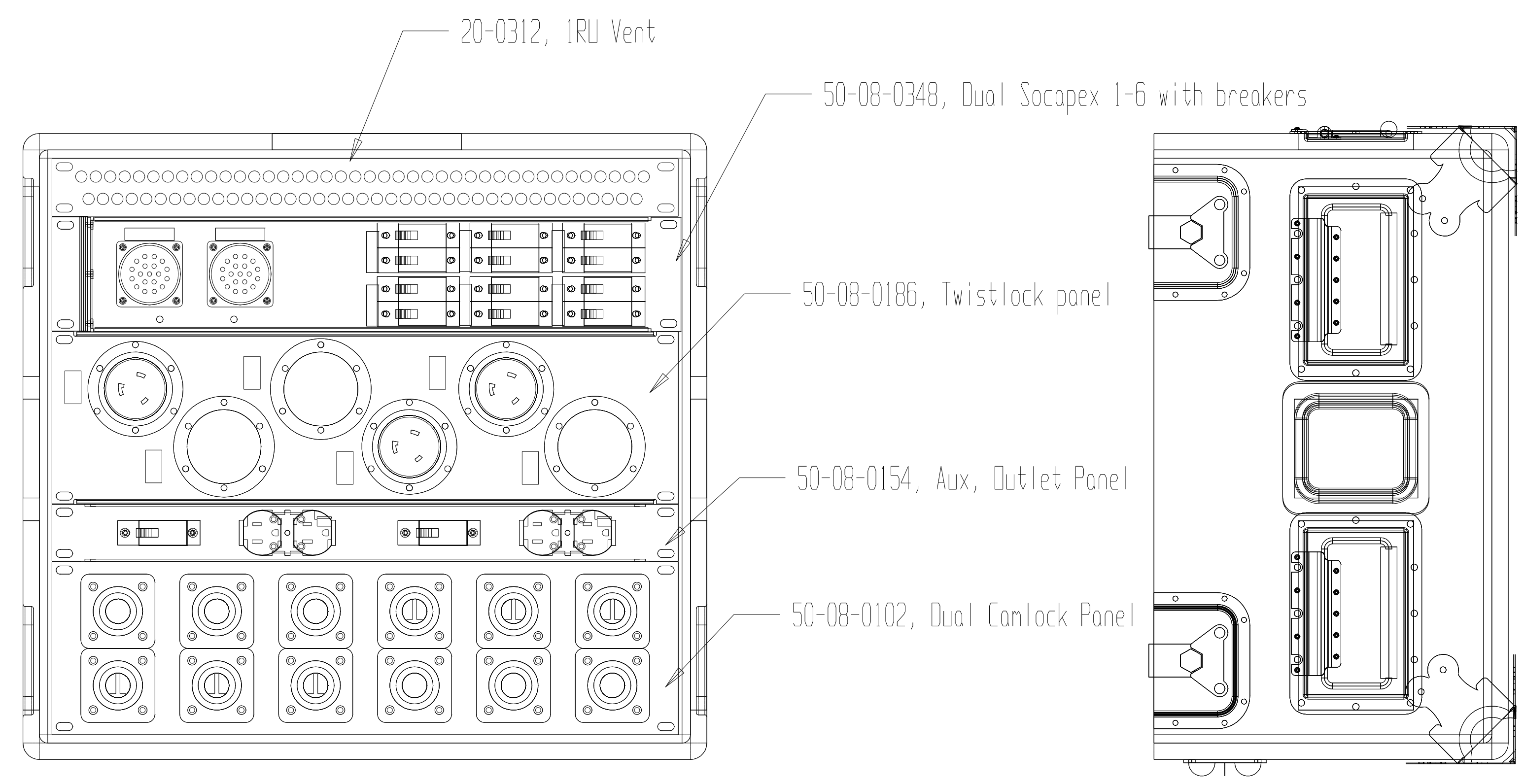
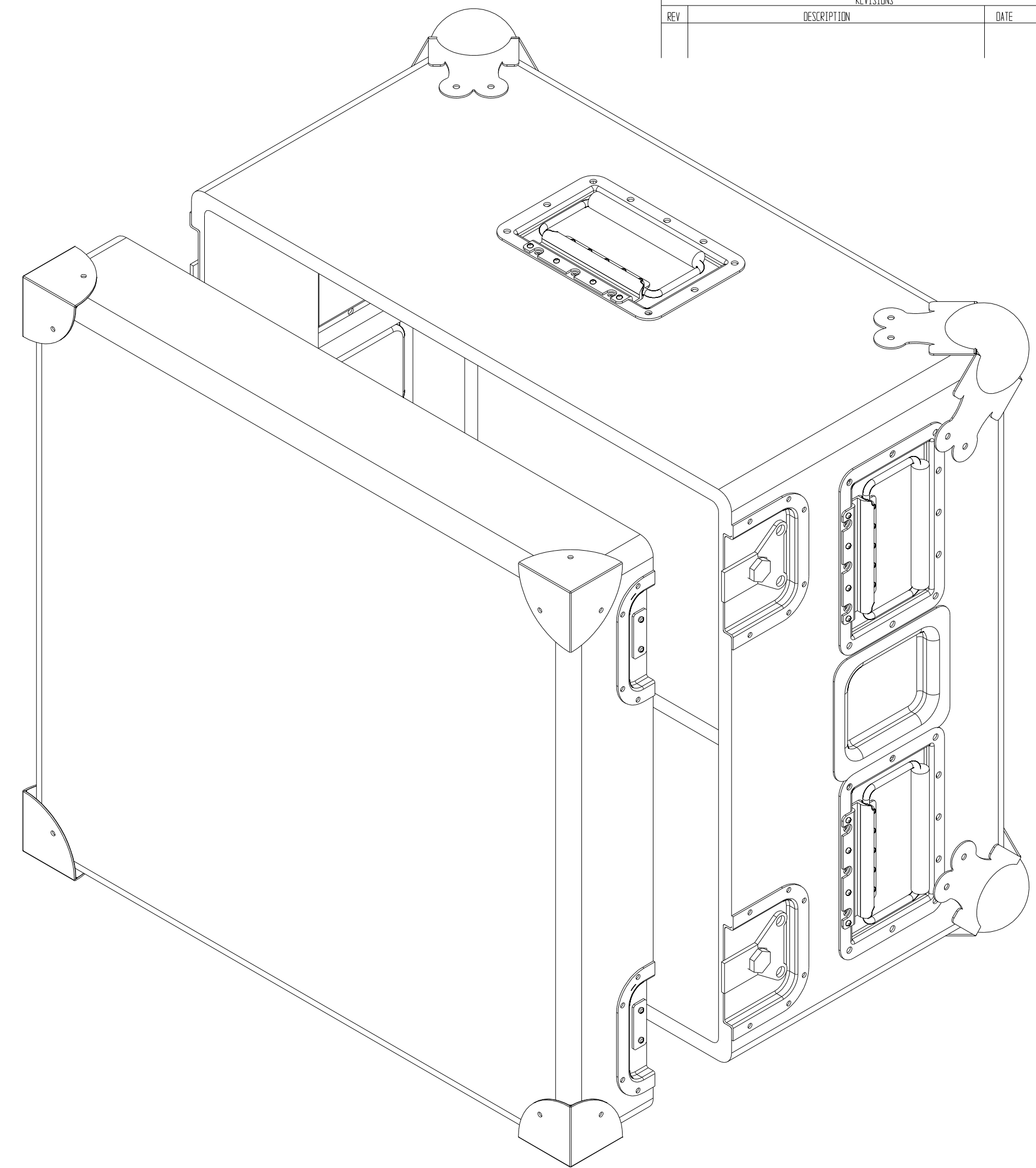
1

H  
G  
F  
E  
D  
C  
B  
A

| REVISIONS |             |      |          |
|-----------|-------------|------|----------|
| REV       | DESCRIPTION | DATE | APPROVED |
|           |             |      |          |



25-4002 Case



Breakers are 2-Pole 20 amp, 250 volts  
 Breakers are wired in parallel with two socapex and the twistlock panel

**Leprecon LLC**  
1125 So. 10th St.  
 Fort Lauderdale, FL 33315

DESC: Rack, PD, 10RU Flathead ATA, 220V - 2 socapex panel w/breakers, 6 twist lock, dual con-loc

|             |               |                         |        |
|-------------|---------------|-------------------------|--------|
| SIZE: E     | Date: 4/24/03 | Part Number: 90-08-0345 | REV: A |
| Scale: None | Drawn: TAS    | Sheet 1 of 1            |        |

Y:\PARTS\90-08-0345.PRT

8

7

6

5

4

3

2

1